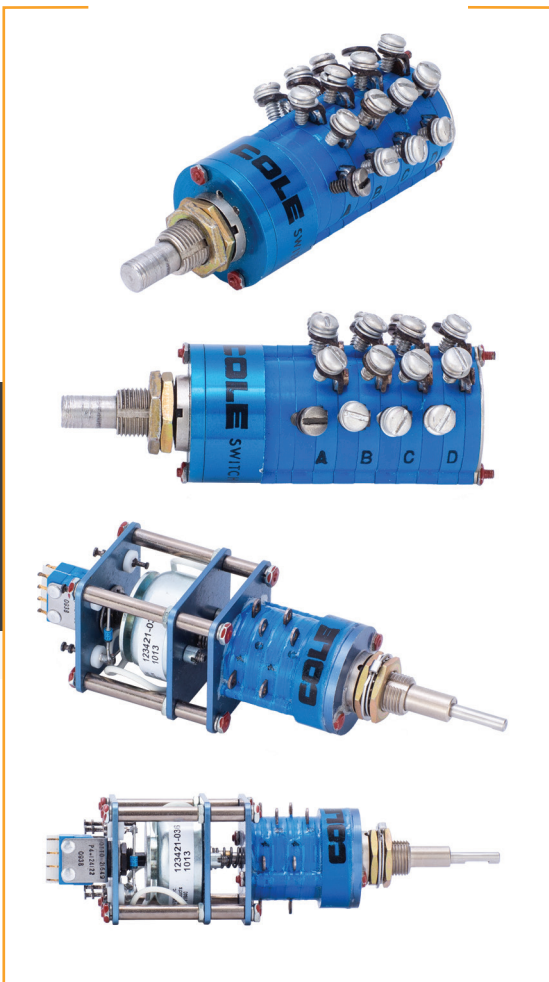




COLE'S SERIES 3600 ONE INCH DIAMETER ROTARY SWITCH IS DESIGNED FOR INSTRUMENTATION, INDUSTRIAL CONTROLS, MEDICAL EQUIPMENT, MILITARY, AIRCRAFT, WEAPONS, AS WELL AS GROUND SUPPORT ELECTRONICS EQUIPMENT.



The 3600 Series meets or exceeds applicable requirements of MIL-DTL-3786 Style SR04. Certified test reports available on request.

The Innovative Switch Company

The 3600 Series switch was designed for low and high level current switching and virtually eliminates flux contamination (with soldering and preparation per IPC-610 and IPC J-STD) which has been a problem to the industry utilizing rotary switches.

These switches are available with 30°, 36°, 45°, 60°, and 90° indexing and one to six poles per deck.

Quality construction features include:

- Self cleaning contacts for low level switching and low contact resistance through the life of the switch.
- Hardened steel sprocket and ball bearing detent mechanics provide smooth, steady, and positive mechanical detent life in excess of 100,000 cycles.
- QPL Rated switching life of 25,000 cycles.
- Terminals and commons are molded in diallyl phthalate thermoset plastic to virtually eliminate flux contamination seeping inside the switch during the soldering or during the cleaning process (with soldering and preparation per IPC-610 and IPC J-STD).
- Rotors are molded of thermo-plastic glass fill for superior life.
- These and many other quality features will provide the ultimate in mechanical and electrical reliability, during the rated life of the switch.

3600 SERIES One Inch Multi-Deck Enclosed Rotary Switches

The full QPL'd MIL switch is commercially available, as are all these configurations:

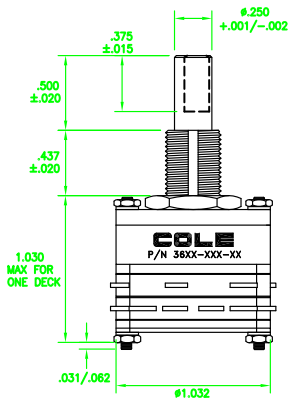
- 3600 Standard (page 3)
- F3600 Standard (page 4)
- 3600 Push/Pull (page 6)
- 3600 Spring Return (page 8)
- 3600 Concentric Shafts (page 17)
- 3600 Add-A-Pot (page 18)
- 3600 Add Snap Action Switch (page 19)
- 3600 Screw Terminals (page 20)

3600 SERIES

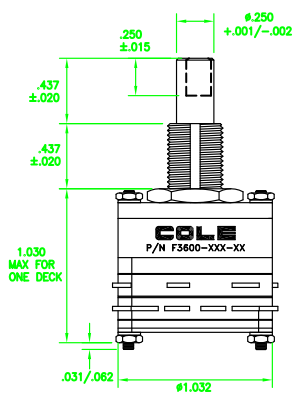
One Inch Multi-Deck Enclosed Rotary Switches

ISO 9001:2015 and
AS9100:2016 Rev. D Certified

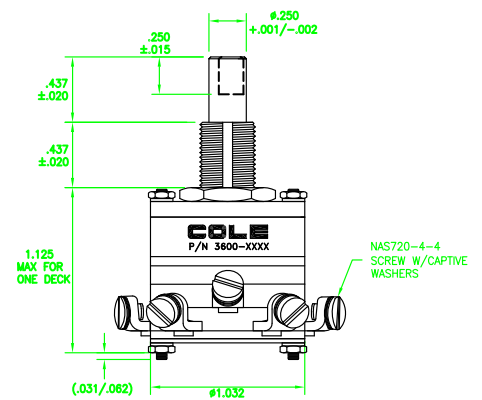
3600 Standard
(See Page 3)



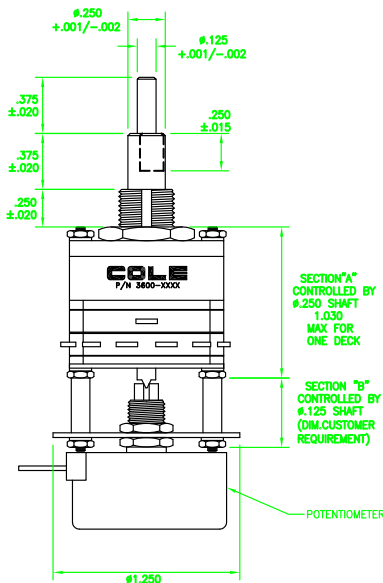
F3600 Standard
(See Page 4)



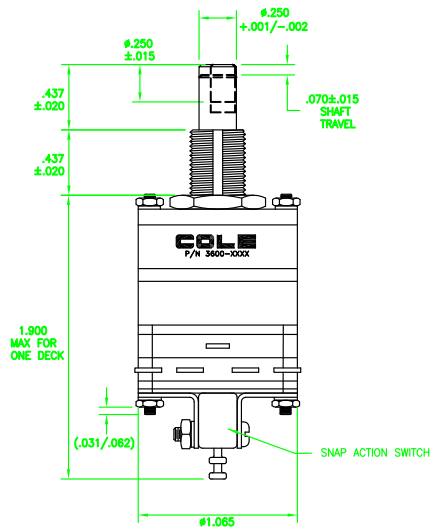
3600 Screw Terminals
(See Page 20)



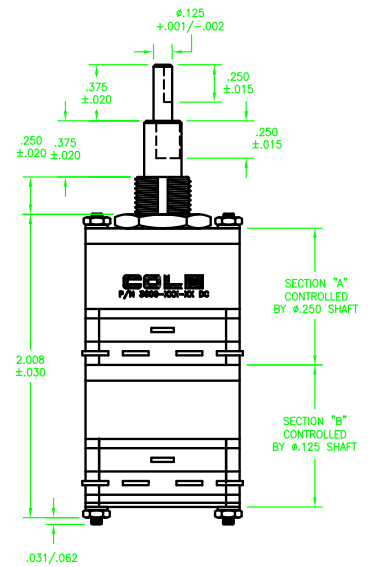
3600 Add A Pot
(See Page 18)



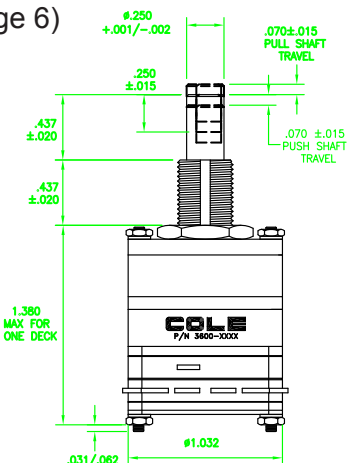
3600 Add Snap Action Switch
(See Page 19)



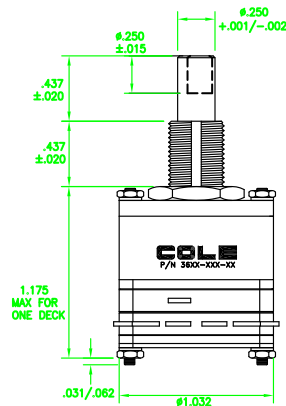
3600 Concentric Shafts
(See Page 17)



3600 Push/Pull
(See Page 6)



3600 Spring Return
(See Page 8)



COLE
INSTRUMENT CORP.

2650 South Croddy Way
P.O. Box 25063
Santa Ana, CA 92799-5063

Phone: 714.556.3100
Fax: 714.241.9061

Email: sales@cole-switches.com

www.cole-switches.com

©2018 Cole Instrument Corp. All rights reserved. REVISION: J

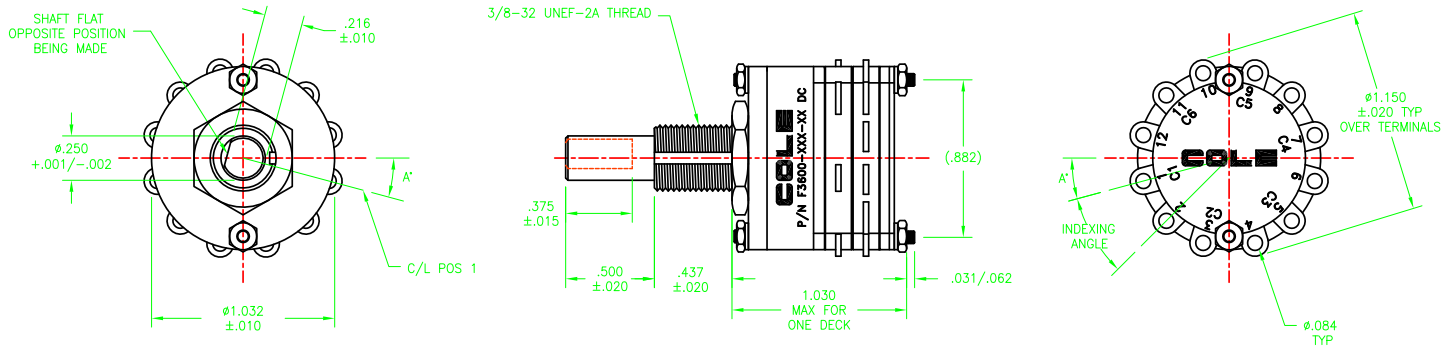
PAGE
2

3600 SERIES

One Inch Multi-Deck Enclosed Rotary Switches

ISO 9001:2015 and
AS9100:2016 Rev. D Certified

3600 STANDARD - .500" (1/2") shaft exposed



3600 SERIES FEATURES

- Flux contamination free.
- MIL-DTL-3786 tested.
- 6 Amp. power switch
- 100,000 mechanical and 25,000 switching life
- Ball bearing smooth detent indexing.
- Constant low contact resistance.
- Rugged, high impact construction

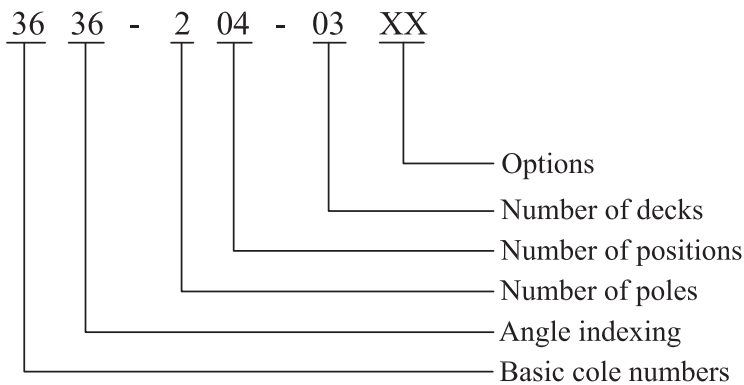
NOTES:

1. Dimensions are in inches.
2. Unless otherwise specified, tolerances are ± 0.005 and $\pm 3^\circ$ on angles.
3. Shaft flat opposite position being made.
4. Add .312 to the length for each additional deck.
5. Non-turn washer for .432 hole spacing, also available.
6. For switches with more than 5 decks, the stud projection is $.312 \pm 0.060$.
7. Switches are provided with full circle of terminals, regardless of the number of active positions.

INDEXING ANGLE	POSITION NUMBER	ANGLE A°
30°	12	15°
36°	10	36°
45°	8	22°30'
60°	6	15°
90°	4	22°30'

ORDERING INFORMATION:

MULTIDECK SWITCHES



Switch shown in the sample code is a 36° indexing, 2 pole per deck, 4 positions per pole, 3 decks with non-shorting type contacts.

OPTIONS

When ordering, add the letters after the basic part number. (Alphabetic order)

- A = Adjustable stops
- F = Fixed stop between the first and last position on the full-turn switch
- G = RFI-EMI shielding
- L = Low level Gold contact
- P = Panel and shaft seals
- S = Shorting type switch (Omit for non-shorting)
- SD = Screwdriver slot
- T = Pre-tinned terminals
- Y = .432 non-turn washer



COLE
INSTRUMENT CORP.

2650 South Croddy Way
P.O. Box 25063
Santa Ana, CA 92799-5063

Phone: 714.556.3100
Fax: 714.241.9061

Email: sales@cole-switches.com

www.cole-switches.com

©2018 Cole Instrument Corp. All rights reserved. REVISION: J

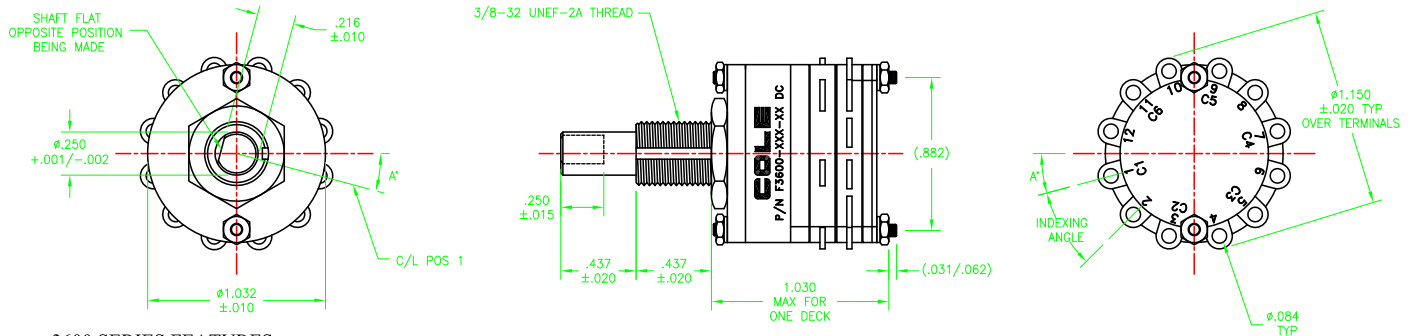
PAGE
3

3600 SERIES

One Inch Multi-Deck Enclosed Rotary Switches

ISO 9001:2015 and
AS9100:2016 Rev. D Certified

F3600 STANDARD - .437" (7/16") shaft exposed



3600 SERIES FEATURES

- Flux contamination free.
- MIL-DTL-3786 tested.
- 6 Amp. power switch.
- 100,000 mechanical and 25,000 switching life
- Ball bearing smooth detent indexing.
- Constant low contact resistance.
- Rugged, high impact construction.

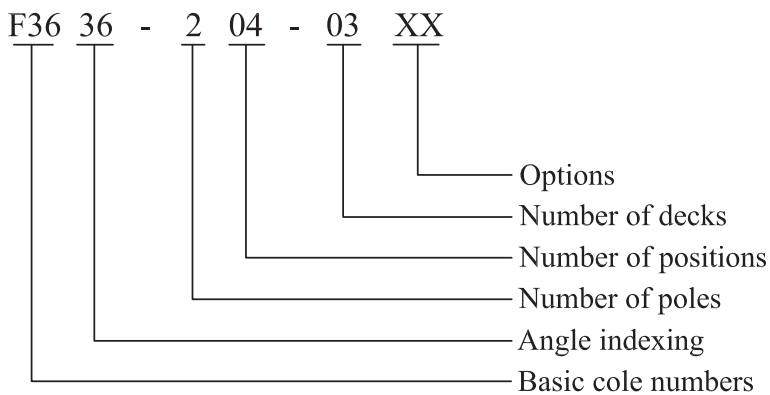
NOTES:

1. Dimensions are in inches.
2. Unless otherwise specified, tolerances are ± 0.005 and $\pm 3^\circ$ on angles.
3. Shaft flat opposite position being made.
4. Add .312 to the length for each additional deck.
5. Non-turn washer for .432 hole spacing, also available.
6. For switches with more than 5 decks, the stud projection is $.312 \pm 0.060$.
7. Switches are provided with full circle of terminals, regardless of the number of active positions.

INDEXING ANGLE	POSITION NUMBER	ANGLE A°
30°	12	15°
36°	10	36°
45°	8	22°30'
60°	6	15°
90°	4	22°30'

ORDERING INFORMATION:

MULTIDECK SWITCHES



Switch shown in the sample code is a 36° indexing, 2 pole per deck, 4 positions per pole, 3 decks with shorting type contacts.

OPTIONS

When ordering, add the letters after the basic part number.(Alphabetic order)

- A = Adjustable stops
- F = Fixed stop between the first and last position on the full-turn switch
- G = RFI-EMI shielding
- L = Low level Gold contact
- P = Panel and shaft seals
- S = Shorting type switch (Omit for non shorting)
- SD = Screwdriver slot
- T = Pre-tinned terminals
- Y = .432 non-turn washer



COLE
INSTRUMENT CORP.

2650 South Croddy Way
P.O. Box 25063
Santa Ana, CA 92799-5063

Phone: 714.556.3100
Fax: 714.241.9061

Email: sales@cole-switches.com

www.cole-switches.com

©2018 Cole Instrument Corp. All rights reserved. REVISION: J

PAGE
4

3600 SERIES

One Inch Multi-Deck Enclosed Rotary Switches

ISO 9001:2015 and
AS9100:2016 Rev. D Certified

BASIC PART NUMBER FOR SINGLE DECK SWITCHES

30° NON-SHORTING		
POSITIONS	PART NO.	NUMBER OF POLES
2	F3630-102	SINGLE POLE
3	F3630-103	SINGLE POLE
4	F3630-104	SINGLE POLE
5	F3630-105	SINGLE POLE
6	F3630-106	SINGLE POLE
7	F3630-107	SINGLE POLE
8	F3630-108	SINGLE POLE
9	F3630-109	SINGLE POLE
10	F3630-110	SINGLE POLE
11	F3630-111	SINGLE POLE
12	F3630-112	SINGLE POLE
2	F3630-202	DOUBLE POLE
3	F3630-203	DOUBLE POLE
4	F3630-204	DOUBLE POLE
5	F3630-205	DOUBLE POLE
6	F3630-206	DOUBLE POLE
2	F3630-302	3 POLES/DECK
3	F3630-303	3 POLES/DECK
4	F3630-304	3 POLES/DECK
2	F3630-402	4 POLES/DECK
3	F3630-403	4 POLES/DECK

36° NON-SHORTING		
POSITIONS	PART NO.	NUMBER OF POLES
2	F3636-102	SINGLE POLE
3	F3636-103	SINGLE POLE
4	F3636-104	SINGLE POLE
5	F3636-105	SINGLE POLE
6	F3636-106	SINGLE POLE
7	F3636-107	SINGLE POLE
8	F3636-108	SINGLE POLE
9	F3636-109	SINGLE POLE
10	F3636-110	SINGLE POLE
2	F3636-202	DOUBLE POLE
3	F3636-203	DOUBLE POLE
4	F3636-204	DOUBLE POLE
5	F3636-205	DOUBLE POLE

45° NON-SHORTING		
POSITIONS	PART NO.	NUMBER OF POLES
2	F3645-102	SINGLE POLE
3	F3645-103	SINGLE POLE
4	F3645-104	SINGLE POLE
5	F3645-105	SINGLE POLE
6	F3645-106	SINGLE POLE
7	F3645-107	SINGLE POLE
8	F3645-108	SINGLE POLE
2	F3645-202	DOUBLE POLE
3	F3645-203	DOUBLE POLE
4	F3645-204	DOUBLE POLE
2	F3645-402	4 POLES/DECK

60° NON-SHORTING		
POSITIONS	PART NO.	NUMBER OF POLES
2	F3660-102	SINGLE POLE
3	F3660-103	SINGLE POLE
4	F3660-104	SINGLE POLE
5	F3660-105	SINGLE POLE
6	F3660-106	SINGLE POLE
2	F3660-202	DOUBLE POLE
3	F3660-203	DOUBLE POLE

90° NON-SHORTING		
POSITIONS	PART NO.	NUMBER OF POLES
2	F3690-102	SINGLE POLE
3	F3690-103	SINGLE POLE
4	F3690-104	SINGLE POLE
2	F3690-202	DOUBLE POLE

STYLES COMMERCIALY AVAILABLE:

Cole Instrument offers other styles which include: spring return (momentary), add-a-pot, concentric shaft, push and pull to turn (protected position) switches.

All the above switches can include combinations of shorting and non-shorting contacts, extended through bolts for rear mounting and sealed enclosures with switches pre-wired to connectors. For switches that incorporate these, and other features, contact the factory with your special requirements.



COLE
INSTRUMENT CORP.

2650 South Croddy Way
P.O. Box 25063
Santa Ana, CA 92799-5063

Phone: 714.556.3100
Fax: 714.241.9061

Email: sales@cole-switches.com

www.cole-switches.com

©2018 Cole Instrument Corp. All rights reserved. REVISION: J

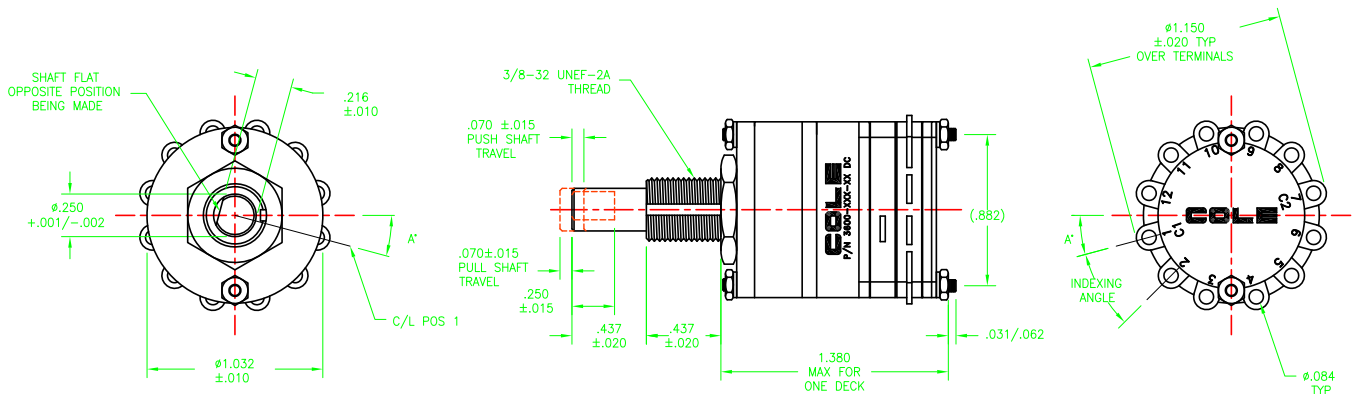
PAGE
5

3600 SERIES

One Inch Multi-Deck Enclosed Rotary Switches

ISO 9001:2015 and
AS9100:2016 Rev. D Certified

3600 Push/Pull (Protected/Isolated Position)



NOTES:

1. Dimensions are in inches.
2. Unless otherwise specified, tolerance are $\pm .005$ and $\pm 3^\circ$ on angles.
3. Shaft flat opposite position being made.
4. Add .312 to the length for each additional deck.
5. Non-turn washer for .432 hole spacing.
6. For switches with more than 5 decks, the stud projection is $.312 \pm .060$.
7. Switches are provided with full circle of terminals, regardless of the number of active positions.

INDEXING ANGLE	POSITION NUMBER	ANGLE A°
30°	12	15°
36°	10	36°
45°	8	22°30'
60°	6	15°
90°	4	22°30'

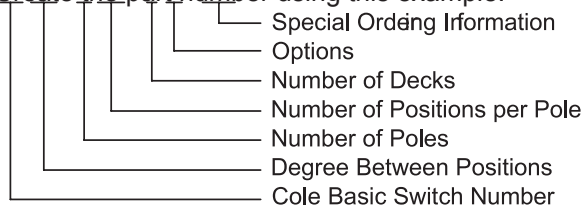
DESCRIPTION:

A rotary switch can be configured such that one or more positions can't contacted without pulling or pushing the switch shaft, in addition of the required torque.

The isolated switch has the flexibility of ordering which position or combination of positions to be isolated. The isolation posts to be inserted adjacent to the position to be isolated. For multi-pole, the first pole isolation post and stop location will determine the isolation pattern for the additional poles.

ORDERING INFORMATION

Create the part number using this example:



SPECIAL ORDERING INFORMATION

Indicate this as SPECIAL switch to ensure that no error is made when the order is entered and create the special ordering information using the following conventional symbols:

D = Specifying Detent Position

STOP = Specifying stops

PL = Specifying actuation by pulling the shaft out

PS = Specifying actuation by pushing the shaft in

Sample part number: SPECIAL

3636 - 205 - 1S

STOP1PS2PS3PS4D5STOP

This sample part number orders a series 3600, 36° indexing, 2 poles, 5 position per pole shorting, 1 deck, and push to turn isolation posts between positions 1-2, 2-3 and 3-4.

Although somewhat long, use of this numbering scheme will prevent error in orders processing. Upon receipt of your order, a special number will be issued unique to this switch. These numbers will not relate to the coding system and will be logged as "special".

The acknowledgment of your order will identify this number. Your specific switch will be the only one identified by this number

FOR DIFFERENT REQUIREMENTS PLEASE CONTACT THE FACTORY.



COLE
INSTRUMENT CORP.

2650 South Croddy Way
P.O. Box 25063
Santa Ana, CA 92799-5063

Phone: 714.556.3100
Fax: 714.241.9061

Email: sales@cole-switches.com

www.cole-switches.com

©2018 Cole Instrument Corp. All rights reserved. REVISION: J

PAGE
6

3600 SERIES

One Inch Multi-Deck Enclosed Rotary Switches

ISO 9001:2015 and
AS9100:2016 Rev. D Certified

3600 ISOLATED POSITION SWITCH DESCRIPTION

A special feature of rotary switches is available known as “isolated position”. This feature allows switch shaft rotation that requires the user to either pull or push the shaft before it will respond to rotational torque. The user identifies the position or positions affected by the isolation mechanism.

Incorporation of the isolated position feature in COLE’S SERIES 3600 switches will add 0.315 inches to the length.

In multipole switches, the initial position that is isolated determines the pattern for the additional poles.

SPECIFYING POSITIONS

The Cole System for identifying isolation positions lets you perform the selection by inserting isolation posts next to the positions to be isolated. An 3600 series switch with 36° indexing and continuous rotation is shown below with no isolation position identified in the spaces between the terminals.

10_1_2_3_4_5_6_7_8_9_10

If you isolate positions 1, 2 and 3, the isolation post insertion points are identified by the letters PL (for actuation by pulling the shaft out), or PS (for actuation by pushing the shaft in) as shown below:

10PL1PL2PL3PL4 5 6 7 8 9 10

This indicates that you can only get to positions 1, 2 and 3 by pulling on the shaft while all other positions can be achieved with normal rotational torque on the shaft.

if positions 1 and 2 are isolated from all other position but nor from each other:

10PS12PS3 4 5 6 7 8 9 10

In this case you need to push on the shaft to get to position 1 from position 10 as well as position 2 from position 3. However, to get from position 1 to position 2 merely requires rotational torque on the shaft.

As a special feature, certain positions on the switch can be isolated in unidirectional mode. That means that the positions can be achieved with normal rotational torque on the shaft, but requires a push or pull action to get to the next position (Ramp-In). Conversely, reaching the isolated position with a push or pull action on the shaft but requiring normal rotational torque (Ramp-out) for the next position, is also available. Please consult the factory for special features.

SPECIFYING STOPS

Stops must be incorporated when a switch has multiple poles or specifies less than the numbers of positions available. If a switch with 36° indexing is specified as an 8 position switch with position 1 isolated with push actuation required, the designation would be:

STOP1PS2 3 4 5 6 7 8STOP

Since the stop mechanism is inserted between positions 10 and 1, the isolation post is only required between positions 1 and 2. The stop mechanism inserted between terminals 8 and 9 serves to limit the switch to 8 positions.

When stop and isolation mechanism are used in multipole switches, all poles are slaved to the first pole in the case of a 2 pole, 10 position switch with 36° indexing, isolating position 1 will automatically isolate position 6.

(Refer to the standard switch schematics for 36° indexing switches, page No. 3



COLE
INSTRUMENT CORP.

2650 South Croddy Way
P.O. Box 25063
Santa Ana, CA 92799-5063

Phone: 714.556.3100
Fax: 714.241.9061

Email: sales@cole-switches.com

www.cole-switches.com

©2018 Cole Instrument Corp. All rights reserved. REVISION: J

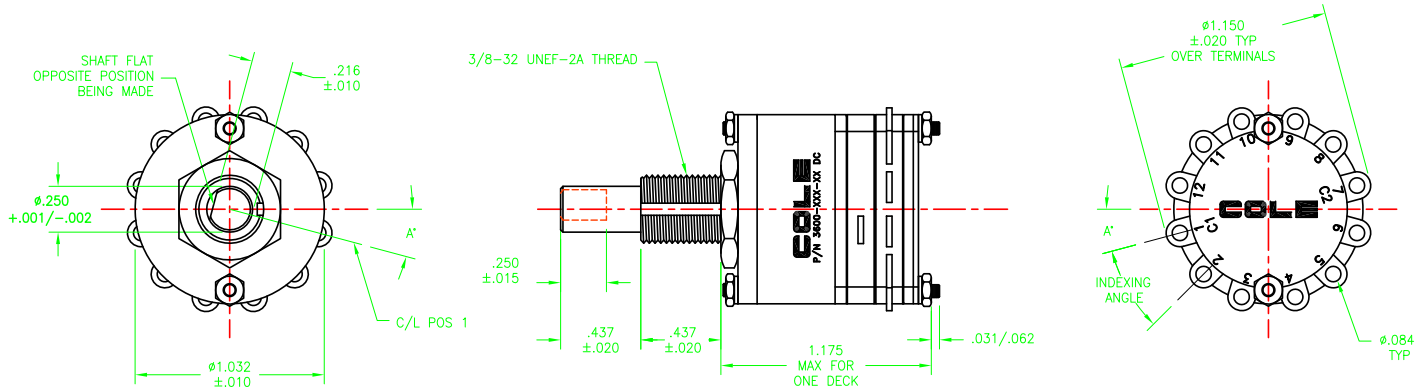
PAGE
7

3600 SERIES

One Inch Multi-Deck Enclosed Rotary Switches

ISO 9001:2015 and
AS9100:2016 Rev. D Certified

3600 Spring Return (Momentary)



NOTES:

1. Dimensions are in inches.
2. Unless otherwise specified, tolerances are ± 0.005 and $\pm 3^\circ$ on angles.
3. Shaft flat opposite position being made.
4. Add .312 to the length for each additional deck.
5. Non-turn washer for .432 hole spacing, also available.
6. For switches with more than 5 decks, the stud projection is $.312 \pm 0.060$.
7. Switches are provided with full circle of terminals, regardless of the number of active positions.

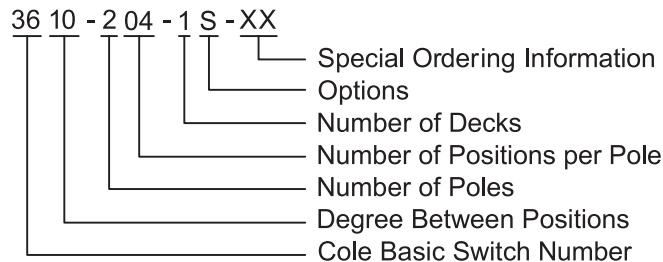
INDEXING ANGLE	POSITION NUMBER	ANGLE A°
30°	12	15°
36°	10	36°
45°	8	22°30'
60°	6	15°
90°	4	22°30'

DESCRIPTION:

A spring return rotary switch requires that manual torque be maintained at the desired switch position. Releasing the force allows the spring to return the contact to a normal, or detent positions. Arrows in the CONFIGURATIONS AND RESTRICTIONS TABLE indicate the direction the spring will return the contact so it assumes a normal detent position, the "D" designates a normal detent position.

ORDERING INFORMATION

Create the part number using this example:



SPECIAL ORDERING INFORMATION

Indicate this as SPECIAL switch to ensure that no error is made when the order is entered and create the special ordering information using the following conventional symbols:

D = Specifying Detent Position

STOP = Specifying stops

Direction of Spring Return

Sample part number:

SPECIAL
3645 - 204 - 1S
STOP1D2D3 4STOP

This sample part number orders a series 3600, 45° indexing, 2 poles, 4 position per pole shorting, 1 deck, momentary terminal 4 returning to terminal 3 (8 to 7 is slaved).

Although somewhat long, use of this numbering scheme will prevent error in orders processing. Upon receipt of your order, a special number will be issued unique to this switch. These numbers will not relate to the coding system and will be logged as "special".

The acknowledgment of your order will identify this number. Your specific switch will be the only one identified by this number

FOR DIFFERENT REQUIREMENTS PLEASE CONTACT THE FACTORY.



COLE
INSTRUMENT CORP.

2650 South Croddy Way
P.O. Box 25063
Santa Ana, CA 92799-5063

Phone: 714.556.3100
Fax: 714.241.9061

Email: sales@cole-switches.com

www.cole-switches.com

©2018 Cole Instrument Corp. All rights reserved. REVISION: J

3600 SERIES

One Inch Multi-Deck Enclosed Rotary Switches

ISO 9001:2015 and
AS9100:2016 Rev. D Certified

3600 SPRING RETURN ROTARY SWITCH DESCRIPTION

A rotary switch with a spring return mechanism allows certain selected positions to have momentary action wherein they can be maintained only with positive force on the shaft. Releasing the shaft will return the switch to its previous position. This feature is available in the COLE SERIES 1800, 1830, and 3600 switches. The spring return feature in the SERIES 3600 switch is available in those with 30°, 36° and 45° angles of throw as a standard.

Addition of this mechanism to the SERIES 3600 switch adds 0.315 inches to its length; all other dimensions remain unchanged. Custom requirements can be accommodated by contacting the factory.

CONFIGURATIONS AND RESTRICTIONS TABLE

INDEXING	Part No.	Switch Action	Poles/Deck	No. of poles and Decks	Positions Per Pole	Terminal Opposite to Flat
30° SPRING RETURN	3601	1->2	1, 2, 3, 4, & 6	*	2	2
	3602	1<-2	1, 2, 3, 4, & 6	*	2	1
	3603	1->2D3	1,2,3 & 4	*	3	2
	3604	1D2<-3	1,2,3 & 4	*	3	1
	3605	1->2<-3	1,2,3 & 4	*	3	2
	3606	1->2D3D4	1,2 & 3	*	4	2
	3607	1D2D3<-4	1,2 & 3	*	4	1
	3608	1->2D3<-4	1,2 & 3	*	4	2
	3609	1->2D3D4D5	1 and 2	*	5	2
	3610	1D2D3D4<-5	1 and 2	*	5	1
	3611	1->2D3D4<-5	1 and 2	*	5	2
	3612	1->2D3D4D5D6	1 and 2	*	6	2
	3613	1D2D3D4D5>-6	1 and 2	*	6	1
	3614	1->2D3D4D5<-6	1 and 2	*	6	2
36° SPRING RETURN	3660	1->2	1 and 2	*	2	2
	3661	1<-2	1 and 2	*	2	1
	3662	1->2D3	1 and 2	*	3	2
	3663	1D2<-3	1 and 2	*	3	1
	3664	1->2<-3	1 and 2	*	3	2
	3665	1->2D3D4	1 and 2	*	4	2
	3666	1D2D3<-4	1 and 2	*	4	1
	3667	1->2D3<-4	1 and 2	*	4	2
	3668	1->2D3D4D5	1 and 2	*	5	2
	3669	1D2D3D4<-5	1 and 2	*	5	1
3670	1->2D3D4<-5	1 and 2	*	5	2	
45° SPRING RETURN	3650	1->2	1, 2 & 4	*	2	2
	3651	1<-2	1, 2 & 4	*	2	1
	3652	1->2D3	1 and 2	*	3	2
	3653	1D2<-3	1 and 2	*	3	1
	3654	1->2<-3	1 and 2	*	3	2
	3655	1->2D3D4	1 and 2	*	4	2
	3656	1D2D3<-4	1 and 2	*	4	1
	3657	1->2D3<-4	1 and 2	*	4	2

*THE MAXIMUM NUMBER OF POLES PER SWITCH IS 24 AND DECKS IS 12.

-> DIRECTION OF SPRING RETURN <-

FOR DIFFERENT REQUIREMENTS PLEASE CONTACT THE FACTORY.



COLE
INSTRUMENT CORP.

2650 South Croddy Way
P.O. Box 25063
Santa Ana, CA 92799-5063

Phone: 714.556.3100
Fax: 714.241.9061

Email: sales@cole-switches.com

www.cole-switches.com

©2018 Cole Instrument Corp. All rights reserved. REVISION: J

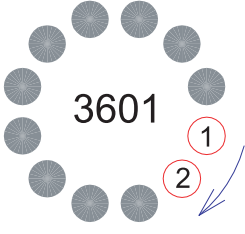
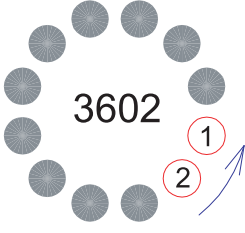
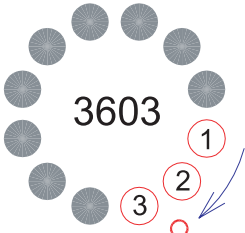
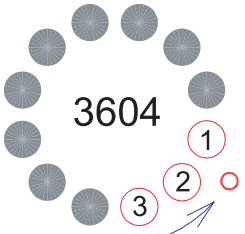
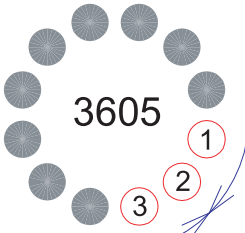
PAGE
9

3600 SERIES

One Inch Multi-Deck Enclosed Rotary Switches

ISO 9001:2015 and
AS9100:2016 Rev. D Certified

CONFIGURATIONS AND RESTRICTIONS TABLE

Indexing	Part No.	Switch Action	Switch Action Description	Poles per Deck	Positions per Pole	Terminal Opposite To Flat
30°	3601		1 → 2	1,2,3,4,& 6	2	2
30°	3602		1 ← 2	1,2,3,4,& 6	2	1
30°	3603		1 → 2D3	1,2,3,& 4	3	2
30°	3604		1D2 ← 3	1,2,3,& 4	3	1
30°	3605		1 → 2 ← 3	1, 2,3,& 4	3	2



COLE
INSTRUMENT CORP.

2650 South Croddy Way
P.O. Box 25063
Santa Ana, CA 92799-5063

Phone: 714.556.3100
Fax: 714.241.9061

Email: sales@cole-switches.com

www.cole-switches.com

©2018 Cole Instrument Corp. All rights reserved. REVISION: J

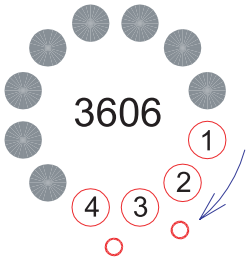

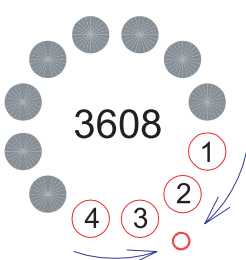
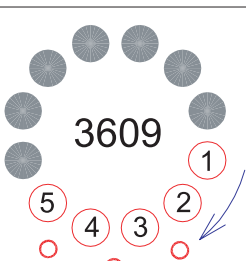
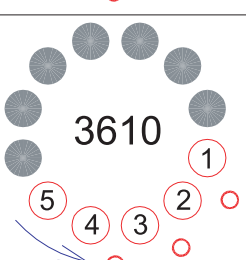
PAGE
10

3600 SERIES

One Inch Multi-Deck Enclosed Rotary Switches

ISO 9001:2015 and
AS9100:2016 Rev. D Certified

CONFIGURATIONS AND RESTRICTIONS TABLE

Indexing	Part No.	Switch Action	Switch Action Description	Poles per Deck	Positions per Pole	Terminal Opposite To Flat
30°	3606		1→2D3D4	1, 2, & 3	4	2
30°	3607		1D2D3←4	1, 2, & 3	4	1
30°	3608		1→2D3←4	1, 2, & 3	4	2
30°	3609		1→2D3D4D5	1 or 2	5	2
30°	3610		1D2D3D4←5	1 or 2	5	1



COLE
INSTRUMENT CORP.

2650 South Croddy Way
P.O. Box 25063
Santa Ana, CA 92799-5063

Phone: 714.556.3100
Fax: 714.241.9061

Email: sales@cole-switches.com

www.cole-switches.com

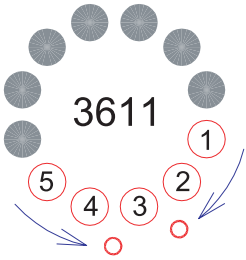
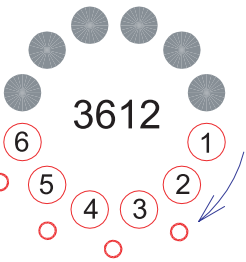
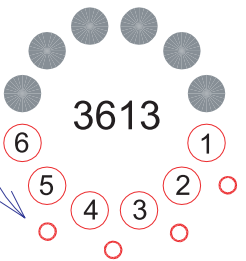
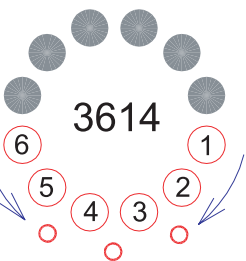
©2018 Cole Instrument Corp. All rights reserved. REVISION: J

3600 SERIES

One Inch Multi-Deck Enclosed Rotary Switches

ISO 9001:2015 and
AS9100:2016 Rev. D Certified

CONFIGURATIONS AND RESTRICTIONS TABLE

Indexing	Part No.	Switch Action	Switch Action Description	Poles per Deck	Positions per Pole	Terminal Opposite To Flat
30°	3611		1→2D3D4←5	1 or 2	5	2
30°	3612		1→2D3D4D5D6	1 or 2	6	2
30°	3613		1D2D3D4D5←6	1 or 2	6	1
30°	3614		1→2D3D4D5←6	1 or 2	6	2



COLE
INSTRUMENT CORP.

2650 South Croddy Way
P.O. Box 25063
Santa Ana, CA 92799-5063

Phone: 714.556.3100
Fax: 714.241.9061

Email: sales@cole-switches.com

www.cole-switches.com

©2018 Cole Instrument Corp. All rights reserved. REVISION: J

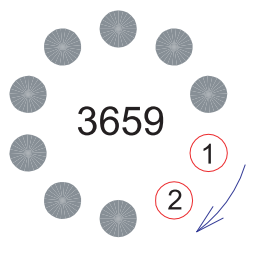
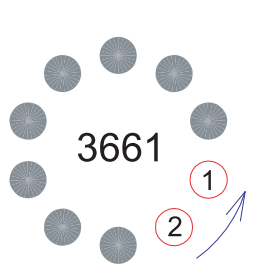
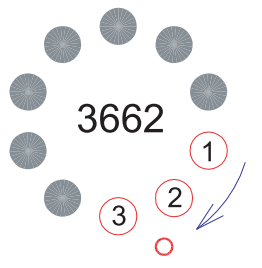
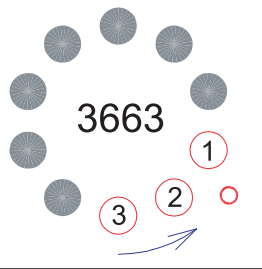
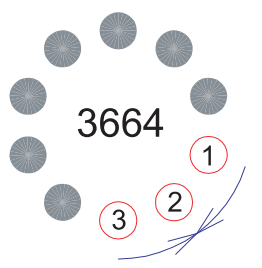
PAGE
12

3600 SERIES

One Inch Multi-Deck Enclosed Rotary Switches

ISO 9001:2015 and
AS9100:2016 Rev. D Certified

CONFIGURATIONS AND RESTRICTIONS TABLE

Indexing	Part No.	Switch Action	Switch Action Description	Poles per Deck	Positions per Pole	Terminal Opposite To Flat
36°	3660		1 → 2	1 or 2	2	2
36°	3661		1 ← 2	1 or 2	2	1
36°	3662		1 → 2D3	1 or 2	3	2
36°	3663		1D2 ← 3	1 or 2	3	1
36°	3664		1 → 2 ← 3	1 or 2	3	2



COLE
INSTRUMENT CORP.

2650 South Croddy Way
P.O. Box 25063
Santa Ana, CA 92799-5063

Phone: 714.556.3100
Fax: 714.241.9061

Email: sales@cole-switches.com

www.cole-switches.com

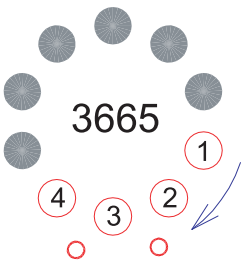

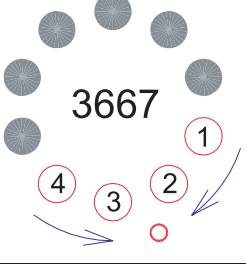
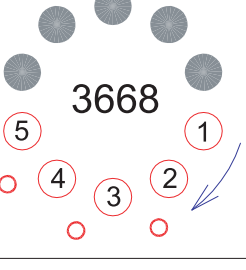
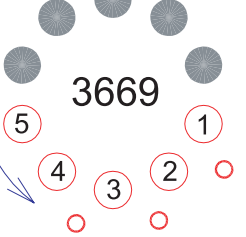
©2018 Cole Instrument Corp. All rights reserved. REVISION: J

3600 SERIES

One Inch Multi-Deck Enclosed Rotary Switches

ISO 9001:2015 and
AS9100:2016 Rev. D Certified

CONFIGURATIONS AND RESTRICTIONS TABLE

Indexing	Part No.	Switch Action	Switch Action Description	Poles per Deck	Positions per Pole	Terminal Opposite To Flat
36°	3665		1→2D3D4	1 or 2	4	2
36°	3666		1D2D3←4	1 or 2	4	1
36°	3667		1→2D3←4	1 or 2	4	2
36°	3668		1→2D3D4D5	1 or 2	5	2
36°	3669		1D2D3D4←5	1 or 2	5	1



COLE
INSTRUMENT CORP.

2650 South Croddy Way
P.O. Box 25063
Santa Ana, CA 92799-5063

Phone: 714.556.3100
Fax: 714.241.9061

Email: sales@cole-switches.com

www.cole-switches.com

©2018 Cole Instrument Corp. All rights reserved. REVISION: J

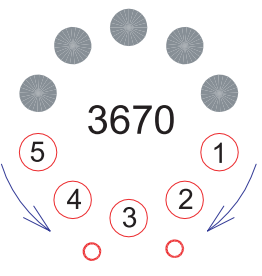
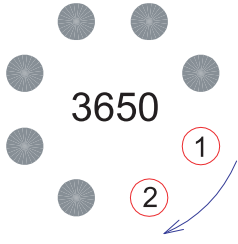
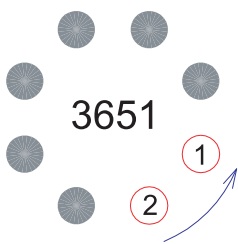
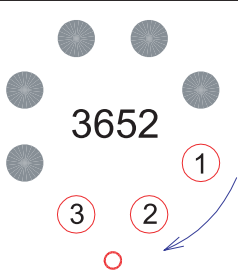

PAGE
14

3600 SERIES

One Inch Multi-Deck Enclosed Rotary Switches

ISO 9001:2015 and
AS9100:2016 Rev. D Certified

CONFIGURATIONS AND RESTRICTIONS TABLE

Indexing	Part No.	Switch Action	Switch Action Description	Poles per Deck	Positions per Pole	Terminal Opposite To Flat
36°	3670		1→2D3D4←5	1 or 2	5	2
45°	3650		1 → 2	1 or 2	2	2
45°	3651		1 ← 2	1 or 2	2	1
45°	3652		1 → 2D3	1 or 2	3	2
45°	3653		1D2 ← 3	1 or 2	3	1



COLE
INSTRUMENT CORP.

2650 South Croddy Way
P.O. Box 25063
Santa Ana, CA 92799-5063

Phone: 714.556.3100
Fax: 714.241.9061

Email: sales@cole-switches.com

www.cole-switches.com

©2018 Cole Instrument Corp. All rights reserved. REVISION: J

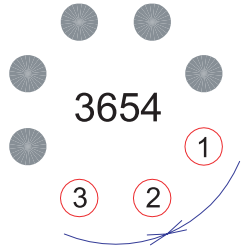
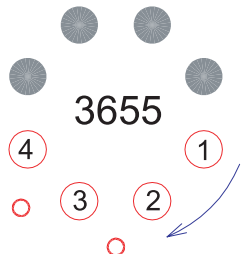
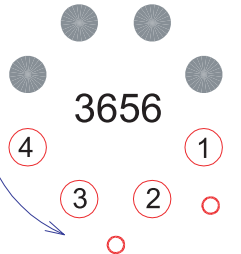
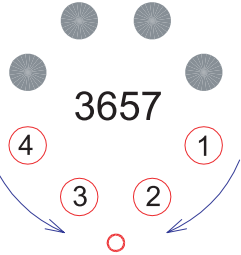
PAGE
15

3600 SERIES

One Inch Multi-Deck Enclosed Rotary Switches

ISO 9001:2015 and
AS9100:2016 Rev. D Certified

CONFIGURATIONS AND RESTRICTIONS TABLE

Indexing	Part No.	Switch Action	Switch Action Description	Poles per Deck	Positions per Pole	Terminal Opposite To Flat
45°	3654		1 → 2 ← 3	1 or 2	3	2
45°	3655		1 → 2D3D4	1 or 2	4	2
45°	3656		1D2D3 ← 4	1 or 2	4	1
45°	3657		1 → 2D3 ← 4	1 or 2	4	2



COLE
INSTRUMENT CORP.

2650 South Croddy Way
P.O. Box 25063
Santa Ana, CA 92799-5063

Phone: 714.556.3100
Fax: 714.241.9061

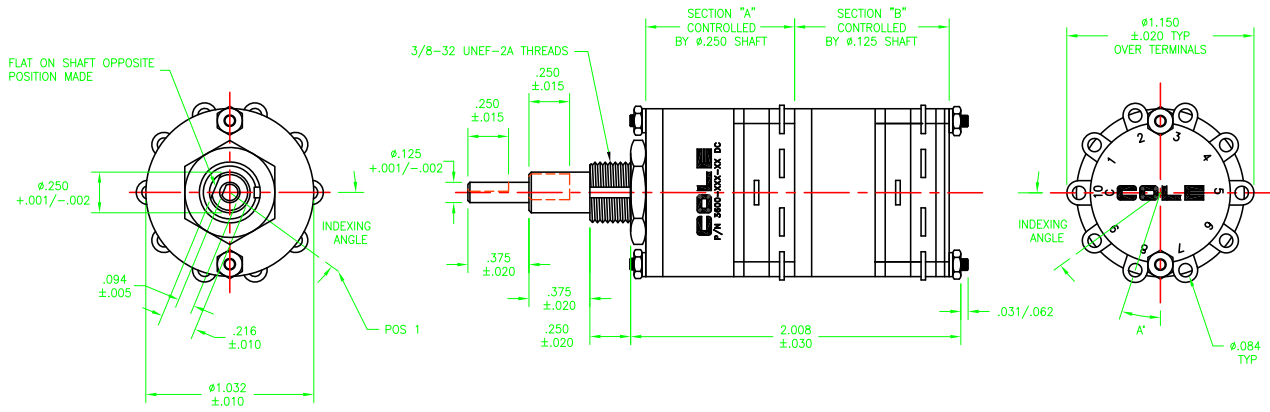
Email: sales@cole-switches.com

www.cole-switches.com

©2018 Cole Instrument Corp. All rights reserved. REVISION: J

PAGE
16

3600 Concentric Shafts



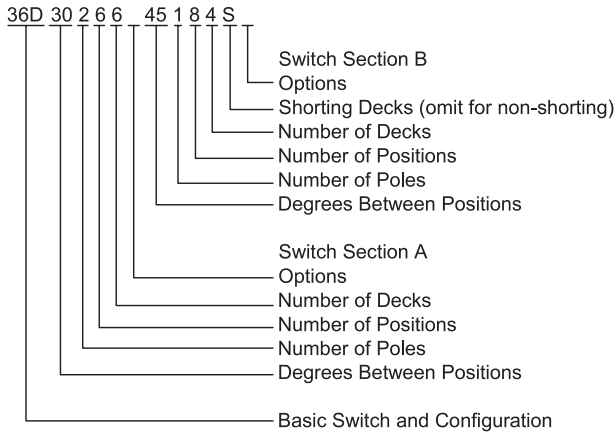
NOTES:

1. Dimensions are in inches.
2. Unless otherwise specified, tolerances are $\pm .005$ and $\pm 3^\circ$ on angles.
3. Shaft flat opposite position being made.
4. Add .312 to the length for each additional deck.
5. Non-turn washer for .432 hole spacing, also available.
6. For switches with more than 5 decks, the stud projection is $.312 \pm .060$.
7. Switches are provided with full circle of terminals, regardless of the number of active positions.

INDEXING ANGLE	POSITION NUMBER	ANGLE A°
30°	12	15°
36°	10	36°
45°	8	22°30'
60°	6	15°
90°	4	22°30'

ORDERING INFORMATION

Sample Code



OPTIONS:

The following options can be added to each section of the switch. Simply add the letters under the "Options" heading.

- F = Fixed stops between first and last positions
- G = RFI -EMI shielding
- L = Low Level Gold contacts
- P = Shaft and panel seals
- Y = Non-Turn Washer for .432 hole spacing
- S = Shorting contacts

Switch shown in the sample code is a dual In-Line series 3600 switch with a 0.25 inch shaft actuating section "A" (closest to the shaft), and a concentric 0.125 inch shaft actuating section "B" (furthest from the shaft).

Section "A" has 30° Indexing, 2 Poles, 6 Positions/Pole, 6 decks, Non-Shorting Contacts.

Section "B" has 45° Indexing, one Pole, 8 Positions/Pole, 4 decks, Shorting Contacts.

Upon providing the factory with full coded identification, a unique 4 digit part number shall be assigned.

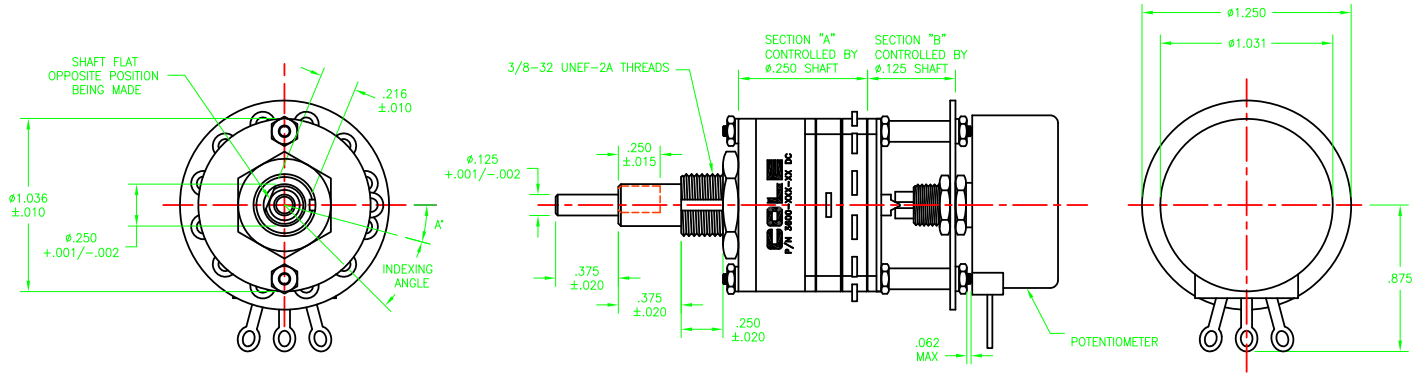


3600 SERIES

One Inch Multi-Deck Enclosed Rotary Switches

ISO 9001:2015 and
AS9100:2016 Rev. D Certified

3600 Add A Pot Switch



NOTES:

1. Dimensions are in inches.
2. Unless otherwise specified, tolerances are $\pm .005$ and $\pm 3^\circ$ on angles.
3. Shaft flat opposite position being made.
4. Add $.312$ to the length for each additional deck.
5. Non-turn washer for $.432$ hole spacing, also available.
6. For switches with more than 5 decks, the stud projection is $.312 \pm .060$.
7. Switches are provided with full circle of terminals, regardless of the number of active positions.

INDEXING ANGLE	POSITION NUMBER	ANGLE A°
30°	12	15°
36°	10	36°
45°	8	22°30'
60°	6	15°
90°	4	22°30'



COLE
INSTRUMENT CORP.

2650 South Croddy Way
P.O. Box 25063
Santa Ana, CA 92799-5063

Phone: 714.556.3100
Fax: 714.241.9061

Email: sales@cole-switches.com

www.cole-switches.com

©2018 Cole Instrument Corp. All rights reserved. REVISION: J

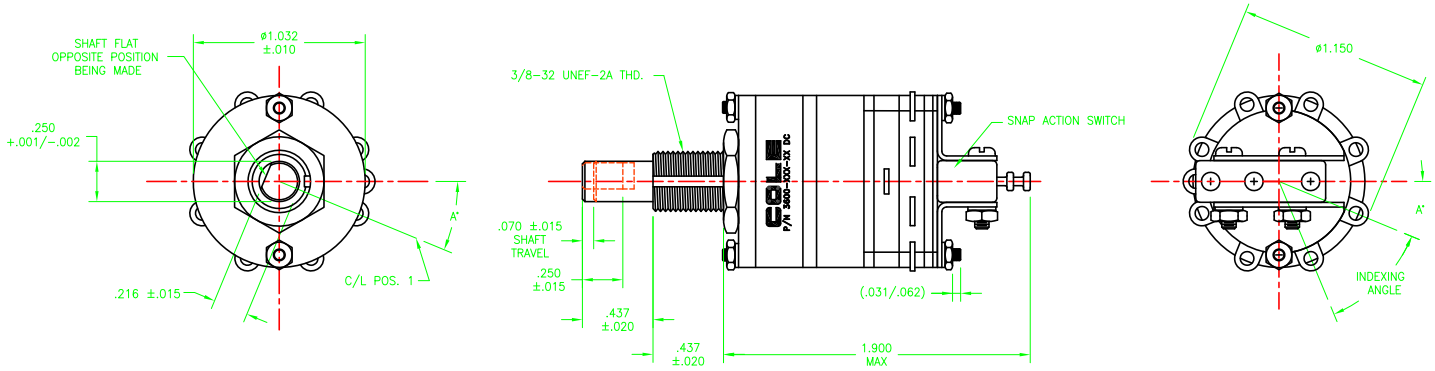
PAGE
18

3600 SERIES

One Inch Multi-Deck Enclosed Rotary Switches

ISO 9001:2015 and
AS9100:2016 Rev. D Certified

3600 Standard Series - Add A Snap Action Switch



NOTES:

1. Dimensions are in inches.
2. Unless otherwise specified, tolerances are $\pm .005$ and $\pm 3^\circ$ on angles.
3. Shaft flat opposite position being made.
4. Add .312 to the length for each additional deck.
5. Non-turn washer for .432 hole spacing, also available.
6. For switches with more than 5 decks, the stud projection is $.312 \pm .060$.

INDEXING ANGLE	POSITION NUMBER	ANGLE A°
30°	12	15°
36°	10	36°
45°	8	22°30'
60°	6	15°
90°	4	22°30'



COLE
INSTRUMENT CORP.

2650 South Croddy Way
P.O. Box 25063
Santa Ana, CA 92799-5063

Phone: 714.556.3100
Fax: 714.241.9061

Email: sales@cole-switches.com

www.cole-switches.com

©2018 Cole Instrument Corp. All rights reserved. REVISION: J

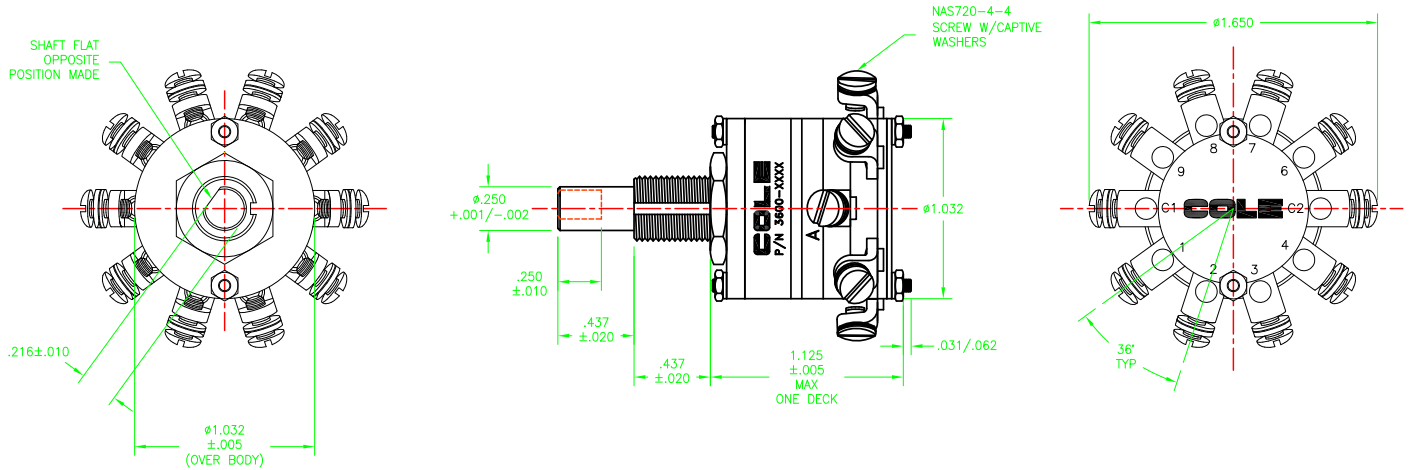
PAGE
19

3600 SERIES

One Inch Multi-Deck Enclosed Rotary Switches

ISO 9001:2015 and
AS9100:2016 Rev. D Certified

3600 Standard Series - Screw Terminals



3600 SERIES FEATURES

- Flux contamination free.
- MIL-DTL-3786 tested.
- 6 Amp. power switch.
- 100,000 mechanical and 25,000 switching life
- Ball bearing smooth detent indexing.
- Constant low contact resistance.
- Rugged, high impact construction.

NOTES:

1. Dimensions are in inches.
2. Unless otherwise specified, tolerances are $\pm .005$ and $\pm 3^\circ$ on angles.
3. Shaft flat opposite position being made.
4. Add .435 to the length for each additional deck.
5. Non-turn washer for .432 hole spacing, also available.
6. For switches with more than 5 decks, the stud projection is $.312 \pm .060$.
7. Switches are provided with full circle of screw terminals, regardless of the number of active positions.
8. Upon receipt of your order, After 3600 series a special numbers will be issued unique to this switch. These numbers will not relate to the coding system and will be logged as "special".

INDEXING ANGLE	POSITION NUMBER	ANGLE A°
36°	10	36°
45°	8	22°30'
60°	6	15°
90°	4	22°30'

3600 TYPICAL FEATURES

**SCHEMATIC DIAGRAMS
(VIEWED FROM SHAFT END AND SHOWN IN POSITION #1)**

30° INDEXING

1 POLE/DECK 2 POLE/DECK 3 POLE/DECK 4 POLE/DECK 6 POLE/DECK

36° INDEXING

1 POLE/DECK 2 POLE/DECK 45° INDEXING 1 POLE/DECK 2 POLE/DECK 4 POLE/DECK

60° INDEXING

1 POLE/DECK 2 POLE/DECK 3 POLE/DECK 90° INDEXING 1 POLE/DECK 2 POLE/DECK

INTERNAL TOOTH LOCK-WASHER

HEX-NUT PER MS25082-20

KEY WASHER

RECOMMENDED PANEL CUTOUT

NOTES:

1. Dimension are in inches.
2. Unless otherwise specified, tolerances are $\pm .005$ and $\pm 3^\circ$ on angles (Non-accumulative).
3. Shaft flat opposite position being made.
4. Add .312 to the length for each additional deck.
5. Non-turn washer for .432 hole spacing, also available.
6. For standard, shaft flat is .375
7. For standard, shaft length is $.500 \pm .020$
8. For switches with more than 5 decks the stud projection is $.312 \pm .060$
9. Switches are provided with full circle of terminals, regardless of the number of active positions.



3600 SERIES

One Inch Multi-Deck Enclosed Rotary Switches

ISO 9001:2015 and
AS9100:2016 Rev. D Certified

Series 3600 Technical Data

Specification	Unit	Value	Note:
Military Specifications		MIL-DTL-3786 Style SR04	
Continuous (Non-Switching) Current Carrying Capacity	Amps	10	at 28 VDC, with max. contact temperature rise of 20°C
Switching Current Capacity at 28 VDC resistive	Amps	6	at Atmospheric pressure with 85°C and at reduced Barometric pressure with 25°C
Switching Current Capacity at 115 VAC resistive	Amps	6	
Switching Current Capacity at 28 VDC inductive (2.8 H.)	Amps	3	
Switching Current Capacity at 28 VDC Lamp Load	Amps	3	
Low Level max. capacity	mA	10	at 30 millivolts DC max.
Dielectric Strength, min.	VRMS	1,000	
Contact resistance, max. (initial)	milliohms (mΩ)	5	
Contact resistance, max. (after life)	milliohms (mΩ)	20	
Insulation resistance, min. (initial)	megaohms (MΩ)	100,000	at 100 VDC
Insulation resistance, min. (after life)	megaohms (MΩ)	60,000	at 100 VDC
Switching Life	cycles	25,000	at rated loads, sea-level, 25°C, 68% relative humidity
Rotational Torque, min.	inch ounces	16	
Rotational Torque, max.	inch ounces	80	
Stop Strength, max.	inch pounds	15	
Mounting Ferrule Strength	inch pounds	15	
Withstanding Shaft Push Force	pounds	150	
Weight	grams	48	
Molded Parts		thermoplastic	
Contact Surfaces		Silver Plated	Gold Plate is an option
Altitude	feet	80,000	typical pressure at 80,000 feet: 0.4 psi
Temperature, min.	degrees Celsius	-55	
Temperature, max.	degrees Celsius	125	
Vibration Tested		Meets	Per MIL-DTL-3786, MIL-STD-202, Method 204, test condition "B", vibration grade 3
Impact Shock, Medium		Meets	MIL-STD 202; Method 213
Impact Shock, High		Meets	at 100g, MIL-STD 202, Method 207
Moisture Resistant		Meets	MIL-STD 202; Method 106
Salt Spray Resistant		Meets	MIL-STD 202, Method 101, Condition "B"
Explosion Proof		Meets	MIL-STD 202, Method 109
Immersion		No	
EMI/RFI		Meets	MIL-DTL-3786, 2 ohms Shaft to ground max
Maximum total contacts on all decks		48	



COLE
INSTRUMENT CORP.

2650 South Croddy Way
P.O. Box 25063
Santa Ana, CA 92799-5063

Phone: 714.556.3100
Fax: 714.241.9061

Email: sales@cole-switches.com

www.cole-switches.com

©2018 Cole Instrument Corp. All rights reserved. REVISION: J

PAGE
22