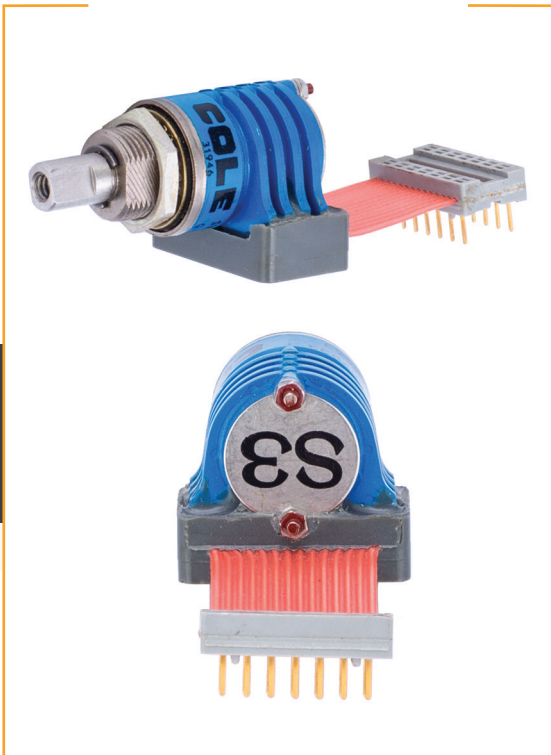




THE COLE SERIES P3900
MINIATURE P.C. TERMINATION
ROTARY SWITCH IS
DESIGNED TO PROVIDE THE
ULTIMATE MECHANICAL AND
ELECTRICAL RELIABILITY
IN INSTRUMENTATION,
INDUSTRIAL CONTROLS,
MEDICAL EQUIPMENT, AIRCRAFT,
COMPUTERS, COMMUNICATION,
WEAPONS, AND GROUND
SUPPORT ELECTRONIC
EQUIPMENT.



The P3900 Series meets or exceeds applicable requirements of MIL-DTL-3786/39 Style SR39 (printed circuit board).
Certified test reports available on request.

The Innovative Switch Company

This precision switch is designed for high and low level switching, engineered to meet the requirements of MIL-DTL-3786 and tested per MIL-STD-202 as follows:

- THERMAL SHOCK PER MIL-STD-202; METHOD 107, TEST CONDITION "B"
- VIBRATION PER MIL-STD-202; METHOD 204, TEST CONDITION "B"
- MEDIUM SHOCK PER MIL-STD-202; METHOD 213
- HIGH SHOCK PER MIL-STD-202; METHOD 207
- MOISTURE RESISTANCE PER MIL-STD-202; METHOD 106
- EXPLOSION PROOF PER MIL-STD-202; METHOD 109
- SALT SPRAY PER MIL-STD-202; METHOD 101, CONDITION "B"

The Series P3900 is available with 30° and 36° indexing and one to six poles per deck. Self cleaning contacts are ideal for low level switching and offer low contact resistance through the life of the switch (25,000 cycles minimum). A hardened steel sprocket and ball bearing detent mechanism provides smooth positive detent action and mechanical life in excess of 100,000 cycles.

Cole's unique terminal design and sealing technique prevents flux contamination during wave soldering and cleaning processes. Internal plastic parts are made of fiber filled plastic to prevent degrading and interior contamination by plastic dust. Finally, superior construction, in a clean room environment, ensures ultimate performance and reliability from the Cole Series P3900 rotary switch.

P3900 SERIES

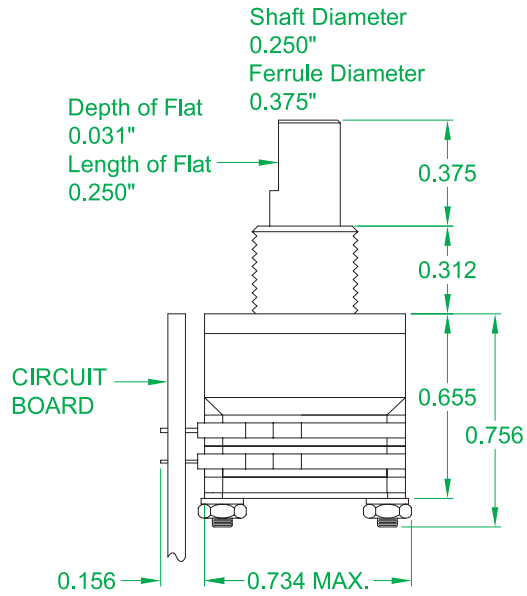
Miniature Multi-Deck Flux-Proof PCB Rotary Switches

The full QPL'd MIL switch is commercially available, as are all these configurations:

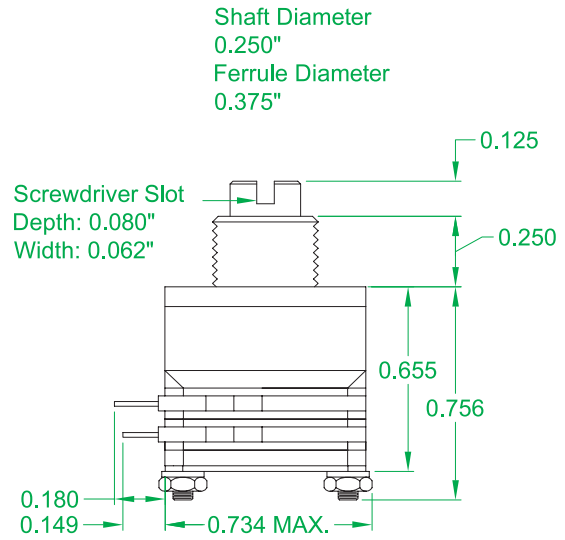
- Shaft dia .125" ferrule dia .250" screwdriver (page 3)
- Shaft dia .250" ferrule dia .375" screwdriver (page 4)
- Shaft dia .125" ferrule dia .250" (page 3)
- Shaft dia .250" ferrule dia .375" (page 4)
- Concentric Shaft (page 5)
- Add-A-Potentiometer (page 6)

P3900 SERIES

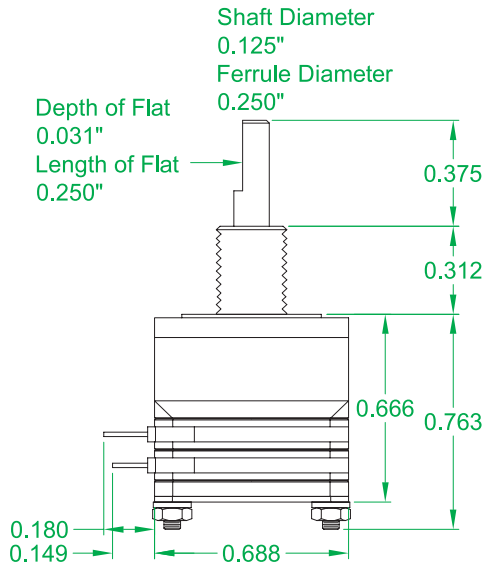
Miniature Multi-Deck Flux-Proof PCB Rotary Switches



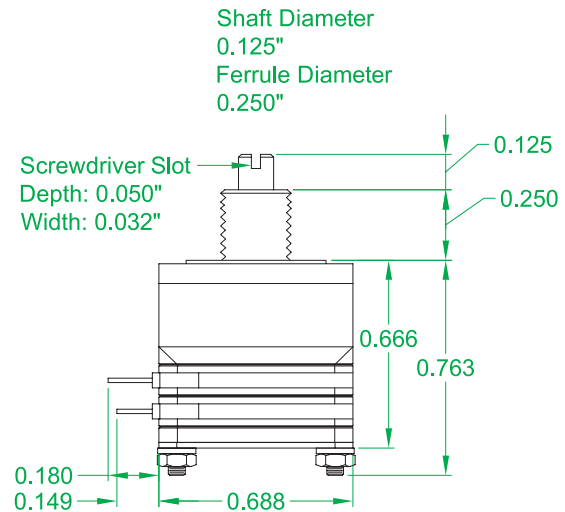
P3900 Standard – .125 Shaft Diameter
(See Page 4)



P3900 Standard – .250 Shaft Diameter
(See Page 4)



P3900 Screwdriver – .125 Shaft Diameter
(See Page 3)



P3900 Screwdriver – .250 Shaft Diameter
(See Page 3)

NOTES:

P3900 Standard – .125 Shaft Dia., .250 Ferrule Dia., .688 Body Dia., (See Page 3).

P3900 Screwdriver – .125 Shaft Dia., .250 Ferrule Dia., 0.688 Body Dia., (See Page 3).

P3900 Standard – .250 Shaft Dia., .375 Ferrule Dia., .688 Body Dia., Panel Seal, (See Page 4).

P3900 Screwdriver – .250 Shaft Dia., .375 Ferrule Dia., 0.688 Body Dia., Panel Seal, (See Page 4).



COLE
INSTRUMENT CORP.

2650 South Croddy Way
P.O. Box 25063
Santa Ana, CA 92799-5063
Phone: 714.556.3100
Fax: 714.241.9061
Email: sales@cole-switches.com

www.cole-switches.com
ISO9001 CERTIFIED

©2018 Cole Instrument Corp. All rights reserved. 2018-02-09

P3900 SERIES

Miniature Multi-Deck Flux-Proof PCB Rotary Switches

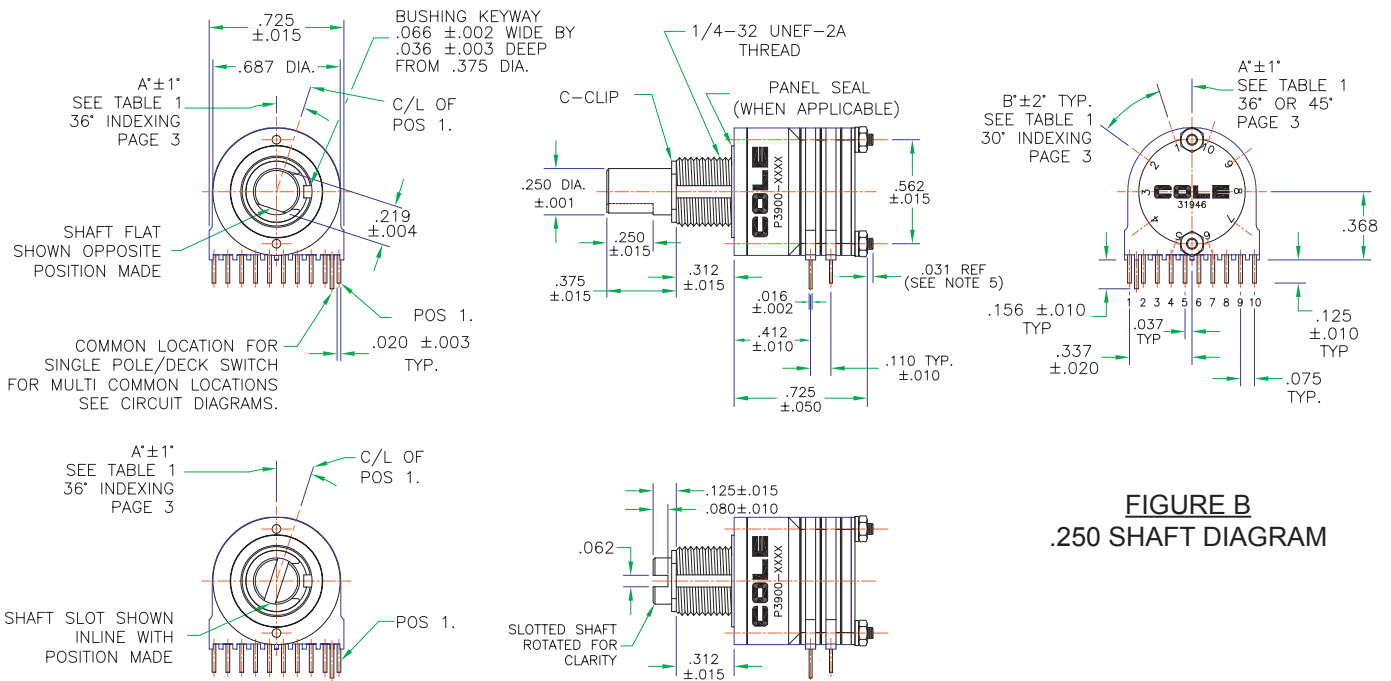


FIGURE B
.250 SHAFT DIAGRAM

NOTES:

1. Dimensions are in inches.
2. Unless otherwise specified, tolerances are $\pm .005$ and $\pm 3^\circ$ on angles (Non-accumulative).
3. Shaft flat opposite position being made.
4. Add .220 to the length for each additional deck.
5. For standard, shaft flat is .250
6. For standard, shaft length is $.375 \pm .015$
7. For switches with more than 5 decks, the stud projection is .312
8. Switches are provided with full complement of terminals, regardless of the number of active positions.

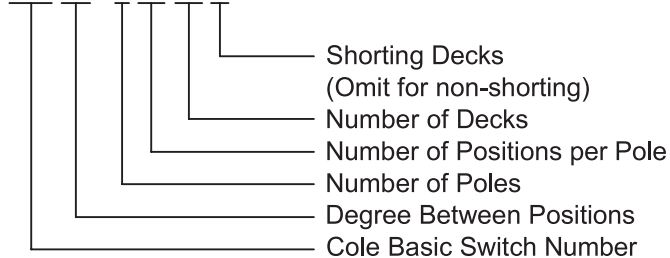
ORDERING INFORMATION

MULTIDECK SWITCHES

Add the total number of deck required as a dash No. after the part number.

SAMPLE CODE

P39 36 - 2 04 03 S



Switch shown in the sample code is 36° indexing, 2 pole per deck, 4 positions per pole, 3 decks, with shorting type contacts.

OPTIONS

The following options can be added to the standard switch.

When ordering, simply add the letters after the basic part number. Options listed in alphabetical order only.

- A = Adjustable stops.
- F = Fixed stop between the first and last position on a full turn switch.
- G = RFI-EMI shielding.
- P = Panel and shaft seals.
- Q = 1/4 dia. Shaft (Omit for 1/8 Dia. Shaft)
- S = Shorting type switch. (Available in all configurations. Omit for non-shorting).
- SD = Screwdriver slot.
- T = Pre-Tinned Terminals.
- Y = Optional .432 Non-Turn Washer. (With "Q" option only)
- Z = Mounting Bushing Washer.



COLE
INSTRUMENT CORP.

2650 South Croddy Way
P.O. Box 25063
Santa Ana, CA 92799-5063

Phone: 714.556.3100
Fax: 714.241.9061
Email: sales@cole-switches.com

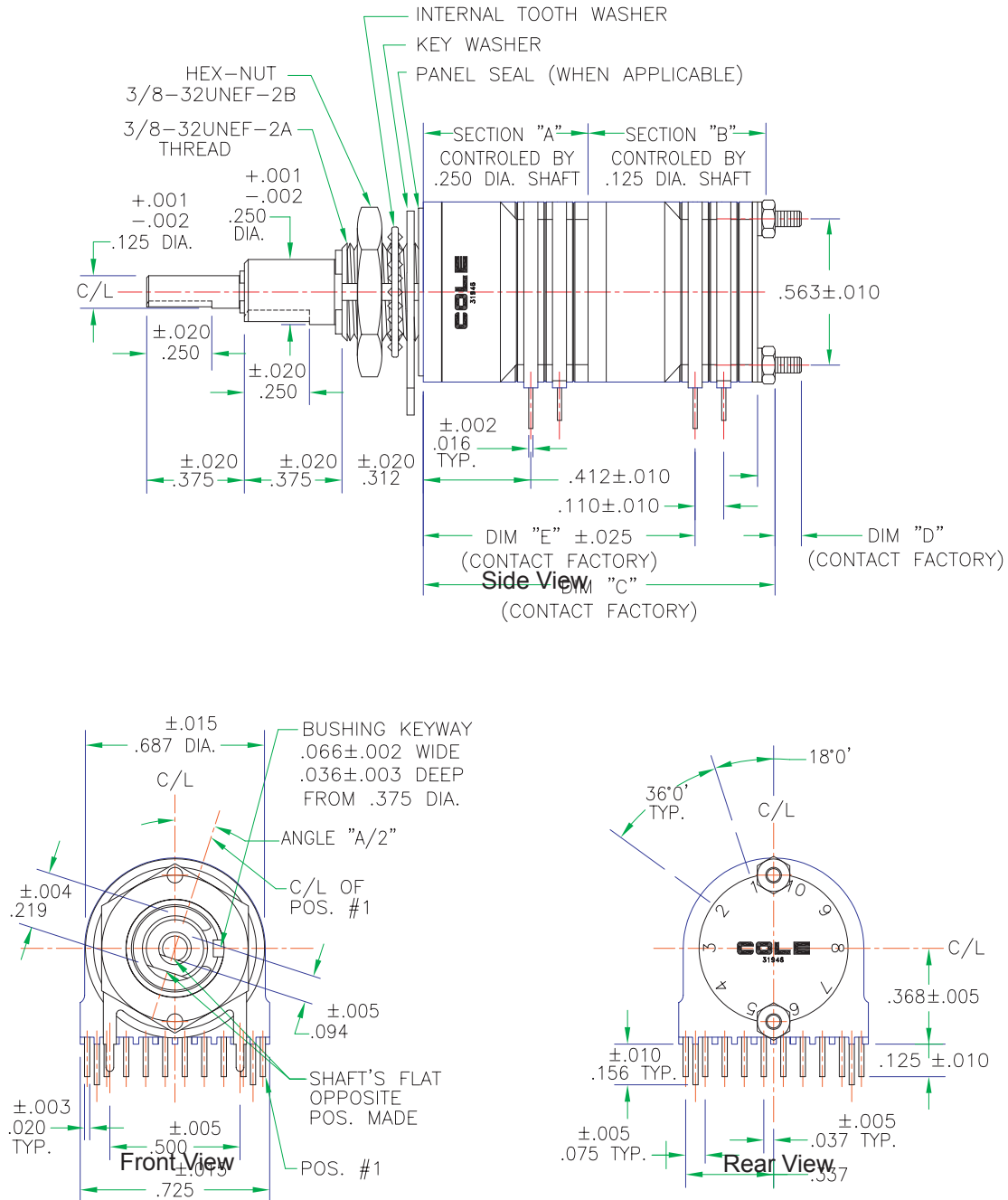
www.cole-switches.com
ISO9001 CERTIFIED

©2018 Cole Instrument Corp. All rights reserved. 2018-02-09

P3900 SERIES

Miniature Multi-Deck Flux-Proof PCB Rotary Switches

P3900 Specials – Concentric Shaft



COLE
INSTRUMENT CORP.

2650 South Croddy Way
P.O. Box 25063
Santa Ana, CA 92799-5063

Phone: 714.556.3100
Fax: 714.241.9061
Email: sales@cole-switches.com

www.cole-switches.com
ISO9001 CERTIFIED

©2018 Cole Instrument Corp. All rights reserved. 2018-02-09

P3900 SERIES

Miniature Multi-Deck Flux-Proof PCB Rotary Switches

Terminal Pin Location

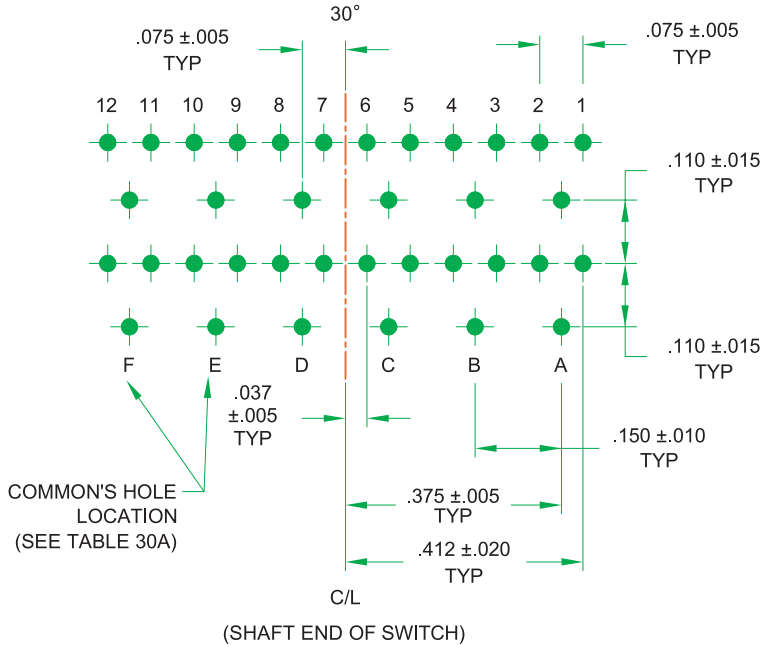


TABLE 30A - 30° INDEXING		
Number of Pole per deck	Common Hole Location	
	Standard	Option
1 Pole	None	C1 @ any one hole from A thru F
2 Poles	None	Any combination of C1 @ A or B or C C2 @ D or E or F
3 Poles	C1 @ A C2 @ C C3 @ E	Any combination of C1 @ A or B C2 @ C or D C3 @ E or F
6 Poles	(Standard Only - No Option) C1 @ A ≠ C2 @ B ≠ C3 @ C C4 @ D ≠ C5 @ E ≠ C6 @ F	

Hole size 0.032

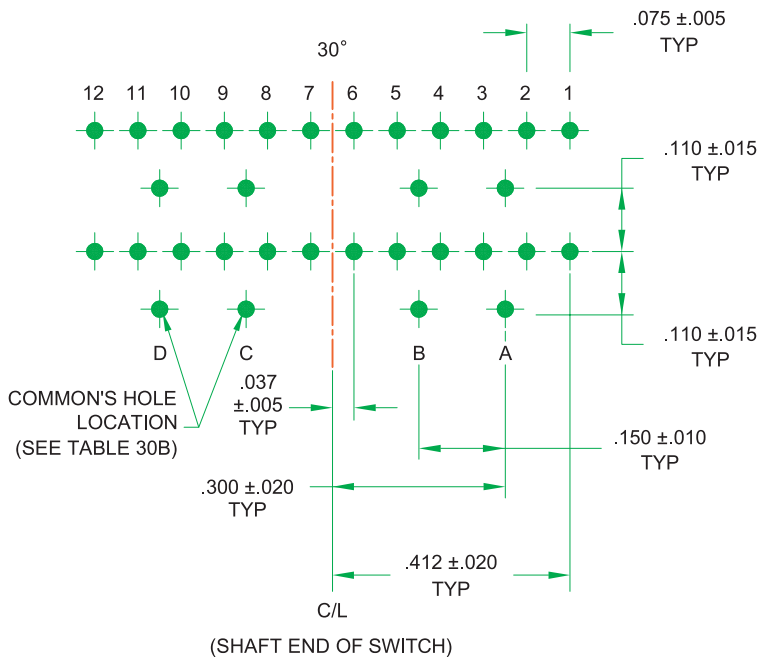


TABLE 30B - 30° INDEXING		
Number of Pole per deck	Common Hole Location	
	Standard	Option
1 Pole	C1 @ A	C1 @ any one hole from B thru D
2 Poles	C1 @ A C2 @ D	Any combination of C1 @ A or B C2 @ C or D
4 Poles	(Standard Only - No Option) C1 @ A ≠ C2 @ B C3 @ C ≠ C4 @ D	



COLE
INSTRUMENT CORP.

2650 South Croddy Way
P.O. Box 25063
Santa Ana, CA 92799-5063
Phone: 714.556.3100
Fax: 714.241.9061
Email: sales@cole-switches.com

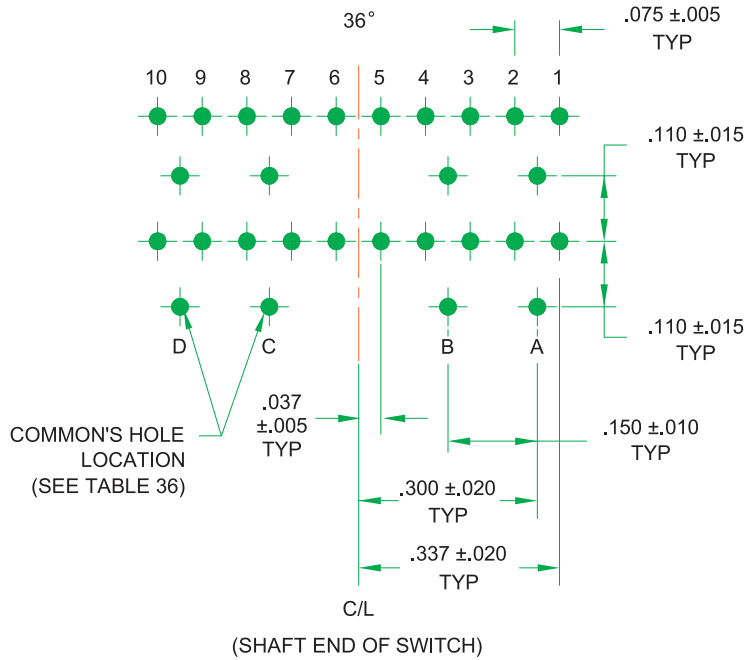
www.cole-switches.com
ISO9001 CERTIFIED

©2018 Cole Instrument Corp. All rights reserved. 2018-02-09

P3900 SERIES

Miniature Multi-Deck Flux-Proof PCB Rotary Switches

Terminal Pin Location

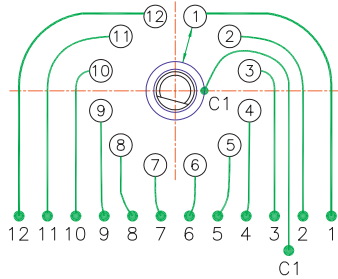


Number of Pole per deck	Common Hole Location	
	Standard	Option
1 Pole	C1 @ A	C1 @ any one hole from B thru D
2 Poles	C1 @ A C2 @ D	Any combination of C1 @ A or B C2 @ C or D

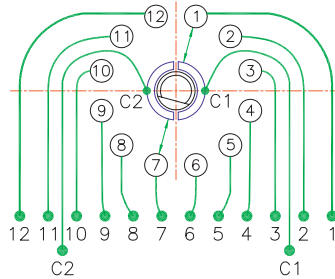
P3900 SERIES

Miniature Multi-Deck Flux-Proof PCB Rotary Switches

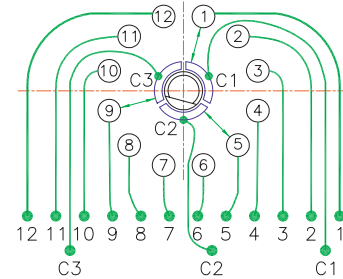
30° INDEXING



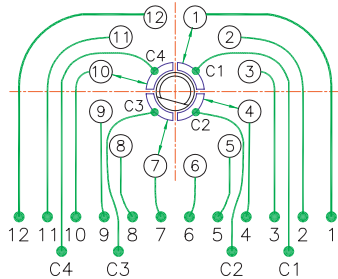
1 POLE



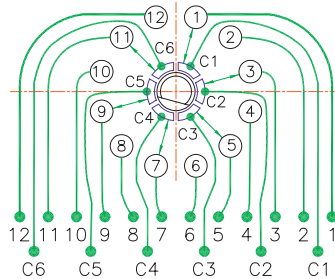
2 POLES



3 POLES

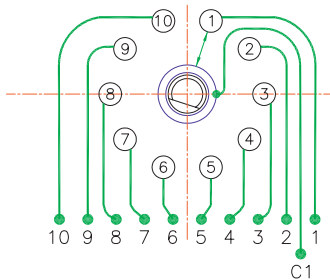


4 POLES

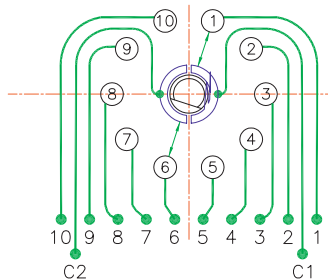


6 POLES

36° INDEXING



1 POLE



2 POLES



COLE
INSTRUMENT CORP.

2650 South Croddy Way
P.O. Box 25063
Santa Ana, CA 92799-5063

Phone: 714.556.3100
Fax: 714.241.9061
Email: sales@cole-switches.com

www.cole-switches.com
ISO9001 CERTIFIED

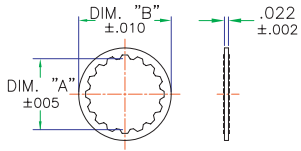
©2018 Cole Instrument Corp. All rights reserved. 2018-02-09

P3900 SERIES

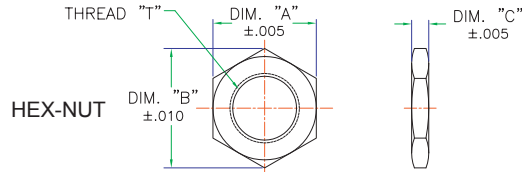
Miniature Multi-Deck Flux-Proof PCB Rotary Switches

Typical Features

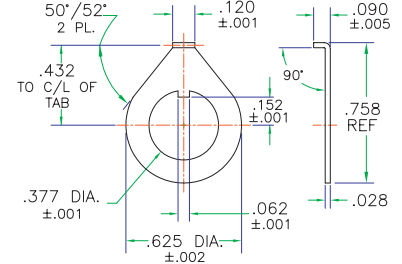
INTERNAL TOOTH LOCK-WASHER



FERRULE SIZE	DIM. "A"	DIM. "B"	DIM. "C"
1/4	.262	.402	.018
3/8	.384	.500	.022

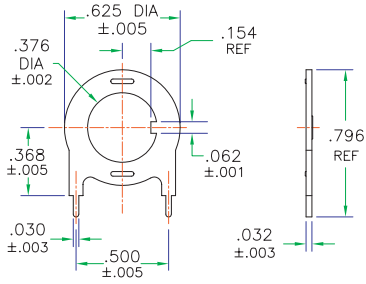


FERRULE SIZE	DIM. "A"	DIM. "B"	DIM. "C"	THREAD SIZE	MIL-SPEC.
1/4	.306	.352	.078	1/4-32 UNEF-2B	25082-C13
3/8	.558	.640	.093	3/8-32 UNEF-2B	25082-C20

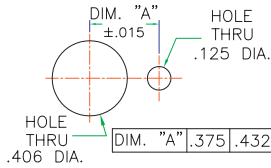
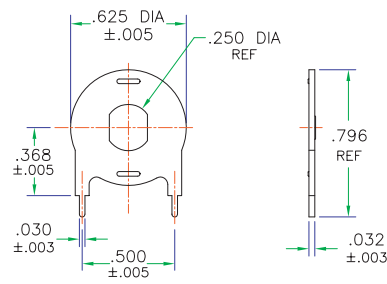


KEY WASHERS 3/8 FERRULE SIZE

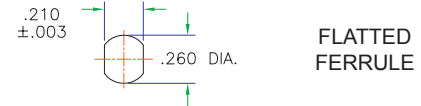
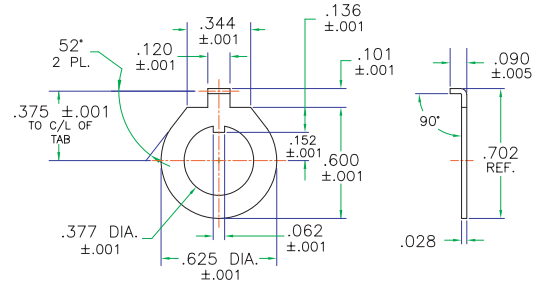
MOUNTING BUSHING WASHER 3/8 FERRULE SIZE



MOUNTING BUSHING WASHER 1/4 FERRULE SIZE



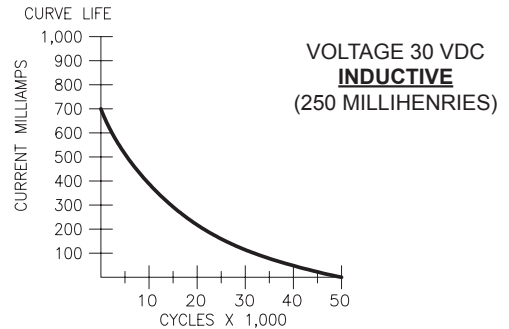
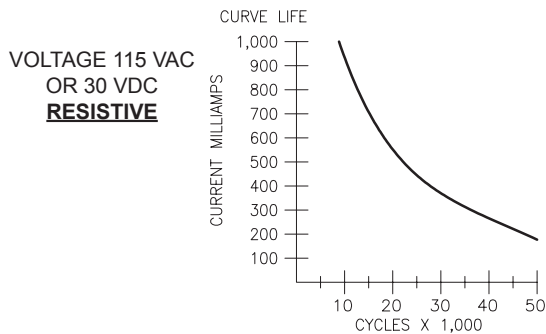
RECOMMENDED PANEL CUTOUT 3/8 FERRULE SIZE



FLATTED FERRULE

RECOMMENDED PANEL CUTOUT 1/4 FERRULE SIZE

Life Expectancy



Data determined from life tests at 25°C, 68% relative humidity at sea level. One cycle is a rotation of 360° and back to position 1. Based on life-limiting criteria specified in Technical Data.



COLE
INSTRUMENT CORP.

2650 South Croddy Way
P.O. Box 25063
Santa Ana, CA 92799-5063
Phone: 714.556.3100
Fax: 714.241.9061
Email: sales@cole-switches.com

www.cole-switches.com
ISO9001 CERTIFIED

©2018 Cole Instrument Corp. All rights reserved. 2018-02-09

P3900 SERIES

Miniature Multi-Deck Flux-Proof PCB Rotary Switches

Series P3900 Technical Data

Specification	Unit	Value	Note:
Military Specifications		MIL-DTL-3786 style SR39, MIL-STD-202	
Continuous (Non-Switching) Current Carrying Capacity	Amps	5	at 28 VDC, with max. contact temperature rise of 20°C
Switching Current Capacity at 28 VDC resistive	Amps	1	at Atmospheric pressure with 85°C and at reduced Barometric pressure with 25°C
Switching Current Capacity at 115 VAC resistive	Amps	1	
Switching Current Capacity at 28 VDC inductive (2.8 H.)	Amps	0.500	
Switching Current Capacity at 28 VDC Lamp Load	Amps	0.5	
Low Level max. capacity	mA	10	at 30 millivolts DC max.
Dielectric Strength, min.	VRMS	750	
Contact resistance, max. (initial)	milliohms (mΩ)	20	
Contact resistance, max. (after life)	milliohms (mΩ)	50	
Insulation resistance, min. (initial)	megaohms (MΩ)	100,000	at 100 VDC
Insulation resistance, min. (after life)	megaohms (MΩ)	50,000	at 100 VDC
Switching Life	cycles	25,000	at rated loads, sea-level, 25°C, 68% relative humidity
Mechanical Life	cycles	100,000	
Rotational Torque, min.	inch ounces	8	
Rotational Torque, max.	inch ounces	32	
Stop Strength, max.	inch pounds	10	
Mounting Ferrule Strength	inch pounds	10	
Withstanding Shaft Push Force	pounds	150	
Weight	grams	21	
Molded Parts		thermoplastic	
Contact Surfaces		Gold plated	
Altitude	feet	80,000	typical pressure at 80,000 feet: 0.4 psi
Temperature, min.	degrees Celsius	-55	
Temperature, max.	degrees Celsius	125	
Vibration Tested		Meets	Per MIL-DTL-3786, MIL-STD-202, Method 204, test condition "B", vibration grade 3
Impact Shock, Medium		Meets	MIL-STD 202; Method 213
Impact Shock, High		Meets	at 100g, MIL-STD 202, Method 207
Moisture Resistant		Meets	MIL-STD 202; Method 106
Salt Spray Resistant		Meets	MIL-STD 202, Method 101, Condition "B"
Explosion Proof		Meets	MIL-STD 202, Method 109
Immersion		No	
EMI/RFI		Meets	MIL-DTL-3786, 2 ohms Shaft to ground max.
Maximum total contacts on all decks		48	

