



THE IKL1800 SERIES OFFERS  
ECONOMICAL KEY LOCK  
SWITCHING WITH THE  
VERSATILITY AND RELIABILITY  
OF COLE'S ONE HALF-INCH  
ROTARY SELECTOR SWITCH. THE  
IKL1800 IS ENGINEERED TO MEET  
OR EXCEED APPLICABLE MIL-  
DTL-3786 REQUIREMENTS

## The Innovative Switch Company

The IKL 1800 Series key lock is designed for critical applications and demanding usage in medical and industrial control and instrumentation, as well as ground support electronic equipment.

This High security key lock switch is made with materials that meet the strictest standards. Its design includes double "D" mountings, a restricted factory-registered key system, versatile master-keying capability, and, on request, exclusive key assignment.

Cole is happy to work with you in designing a custom switch solution to fit your unique application.

Call our Sales and Engineering staff today.



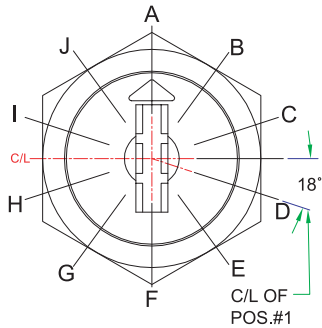
## IKL 1800 SERIES

Key Lock Half-Inch Enclosed Rotary Switches

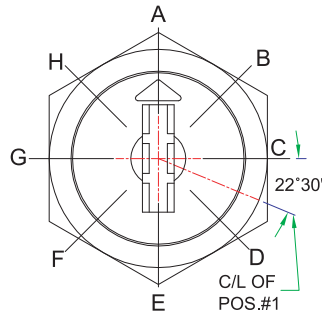
# IKL 1800 SERIES

## Key Lock Half-Inch Enclosed Rotary Switches

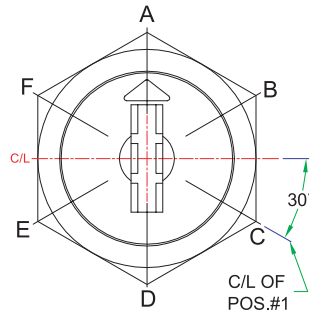
### REMOVAL POSITIONS



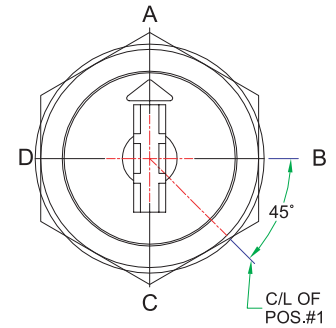
36° INDEXING



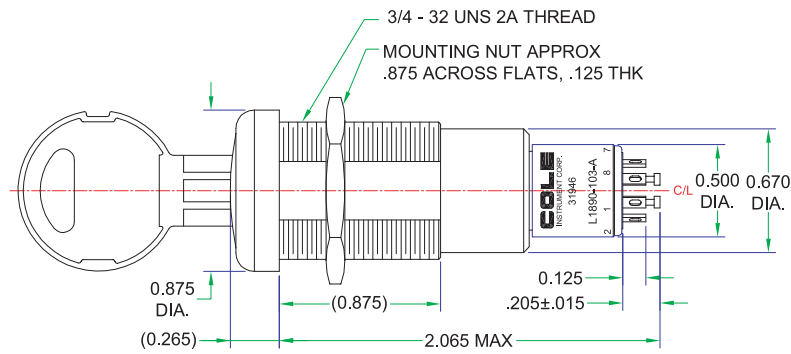
45° INDEXING



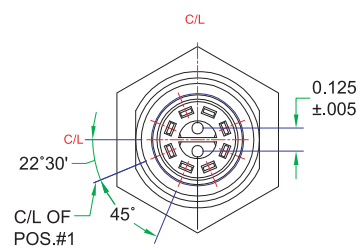
60° INDEXING



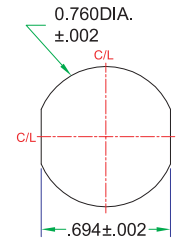
90° INDEXING



SIDE VIEW



REAR VIEW  
SWITCH SHOWN IN  
POSITION "A"



SUGGESTED  
MOUNTING HOLE

### OPTION OF KEY INSERTION & REMOVAL POSITIONS

- Position "A" Thru "J" - 36° Indexing.
- Position "A" Thru "H" - 45° Indexing.
- Position "A" Thru "F" - 60° Indexing.
- Position "A" Thru "D" - 90° Indexing.

### NOTES:

1. Shown switch 45° indexing - 2 Poles - 4 positions.
2. The switches are in position #1 when the key in position "A".

# IKL 1800 SERIES

## Key Lock Half-Inch Enclosed Rotary Switches

### ORDERING INFORMATION AND NOTES:

#### How to determine part number

IKL1836-106S with keypulls at A, B, D and F: IKL 1836-106S-ABDF

Sample part number for a 1800 Series Switch 36°, indexing, 1 pole, 6 positions per pole, shorting switch with key removals at A, B, D and F positions.

1. The chart below lists the standard available combinations for 36°, 45°, 60° and 90° switches.

ANGLE OF THROW (**)	POSITIONS PER POLE	
	ONE POLE	TWO POLES
36°	2 - 10	2 -5
45°	2 - 8	2 -4
60°	2 - 6	2 -3
90°	2 - 4	2

\*\* Shorting and non-shorting contacts are available in 36° angles of throw; non-shorting contacts only are available in 45°, 60° and 90° angles of throw.

2. When ordering specify IKL as a preface to the COLE basic switch number.

3. All keylock switches are keyed alike unless otherwise specified.

4. Keylock switches are supplied with full circle of terminals regardless of the number of active positions.

5. 10, 8, 6, 4 positions switches, 36°, 45°, 60° and 90°, angle of throw, respectively, are continuous rotations unless otherwise specified.

